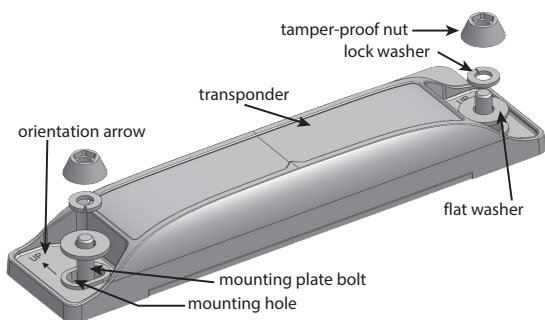




Roof Mounted Transponder Mounting Instructions

The roof mounted transponder is recommended for large commercial vehicles, such as trucks, buses, coaches and RVs.

NOTE: The transponder mounting holes must be used when securing the transponder to the roof of the vehicle. Mounting bolts and nuts are not included with the transponder.



1. Place the transponder in the selected mounting location. Using the transponder mounting holes as a guide, mark the locations on the roof through which the mounting bolts will pass. Remove the transponder.
2. Drill a mounting bolt hole at both locations marked in step 1.
3. Using two, 1/4-in.-diameter stainless steel mounting bolts of sufficient length, two tamper-proof nuts, two lock washers, and two stainless steel flat washers, secure the transponder to the roof of the vehicle with the orientation arrows on the transponder pointing in the direction of forward travel.
4. Apply sealant to the mounting bolts and mounting location as necessary.

For more information, call
1-800-UC-IPASS
(1-800-824-7277)



Requirements

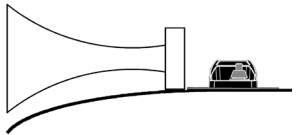
- For reliable operation of the transponder, the vehicle must be equipped with only one transponder while passing through a toll facility. Other transponders present in the vehicle must be wrapped in foil.
- Roof mounted transponders must be mounted on the roof of the vehicle.
- The mounting location must provide direct line-of-sight communication between the transponder and the toll facility's overhead antenna.

Mounting Tips

Select a mounting location within 4 inches of the centerline (as measured from the right and left sides of the vehicle).

Consider the following criteria:

- Do not mount behind horns, lights, or other metal objects.



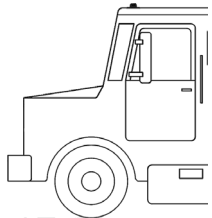
- Do not mount within 6 inches of any metal object (trailer, decals, horn, lights, or metallic paint-cover surfaces)



- Do not mount within 2 feet of any radio transmitter.



- Do not mount more than 13 feet above roadway.



- A non-metal air dam may cover the transponder, provided that no metallic paint or metal foil decals cover the dam.

