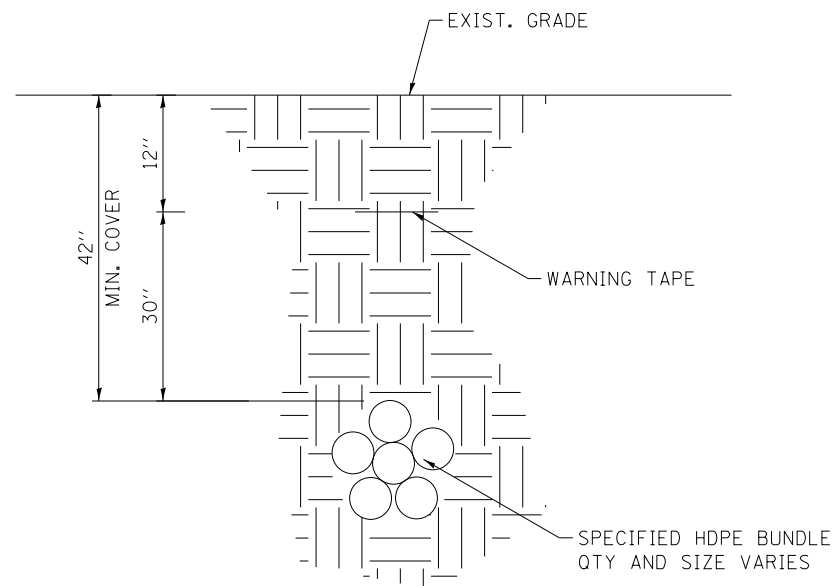


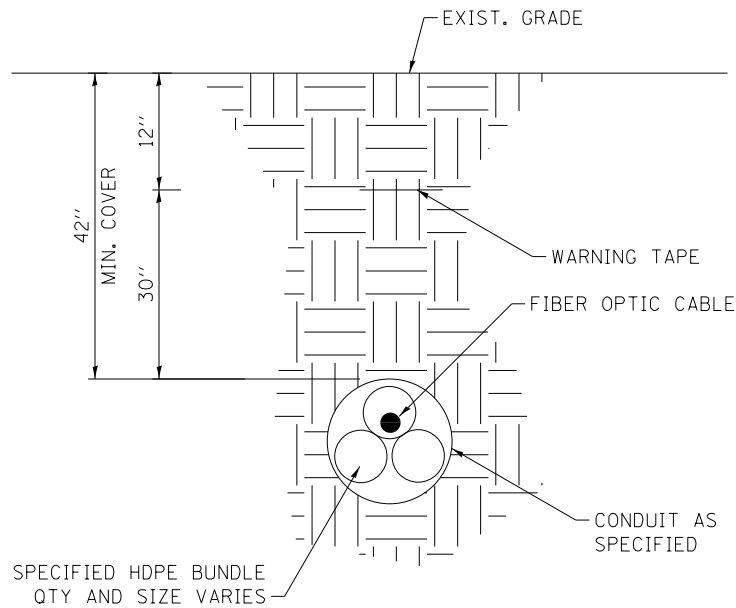
TYPES OF BURY  
CABLE AND INNERDUCT  
BORED AND PLOWED

GENERAL NOTES:

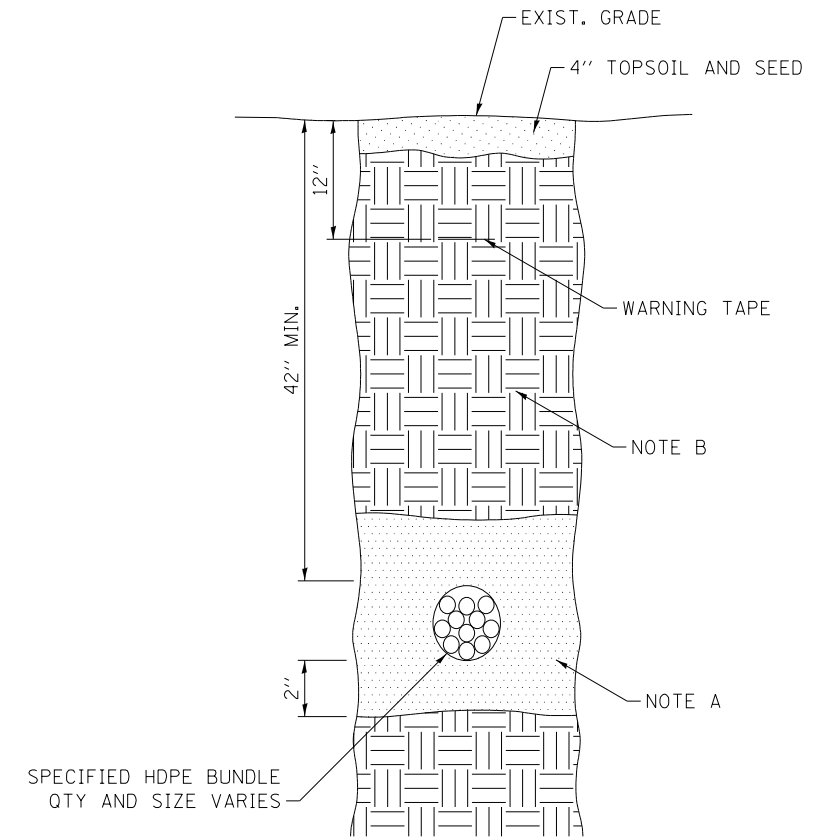
1. UNDERGROUND CONDUIT SHALL BE PLACED AT 42" MINIMUM COVER UNLESS OTHERWISE SPECIFIED ON THE PLANS.
2. UNDERGROUND CONDUIT SHALL BE PLACED AT 48" MINIMUM COVER UNDER STREAM, CREEK AND DRAINAGE DITCH'S UNLESS OTHERWISE SPECIFIED ON THE PLANS.
3. IF WHILE LOWERING THE DUCTS, THERE IS NOT ENOUGH SLACK IN THE DUCTS, ADDITIONAL DUCT SHALL BE ADDED. EMPTY DUCTS CAN BE CUT AND HAVE NEW DUCT FUSED ON. DUCTS WITH FIBER INSTALLED SHALL BE RING CUT WITH A TUBE CUTTER SO AS NOT TO DAMAGE THE FIBER.
4. ALL CONDUIT USED ABOVE GROUND SHALL BE PVC COATED GALVANIZED RIGID STEEL ACCORDING TO SECTION 811 OF THE STANDARD SPECIFICATIONS, AS MODIFIED BY THE TOLLWAY SUPPLEMENTAL SPECIFICATIONS.



PLOWED HDPE BUNDLES  
QTY VARIES



BORED CONDUIT WITH FIBER OPTIC CABLE AND/OR MULTIPLE INNERDUCTS  
AS REQUIRED



CONSTRUCTION NOTES TRENCHED HDPE BUNDLES

- A. A MINIMUM OF 2" OF SAND SHALL BE PLACED UNDER THE CONDUIT. SAND SHALL TRANSITION TO BACKFILL ACCORDING TO NOTE B 4" ABOVE CONDUIT.
- B. BACKFILL SHALL BE ACCORDING TO ARTICLE 810.04 OF THE STANDARD SPECIFICATIONS.

TRENCHED HDPE BUNDLES

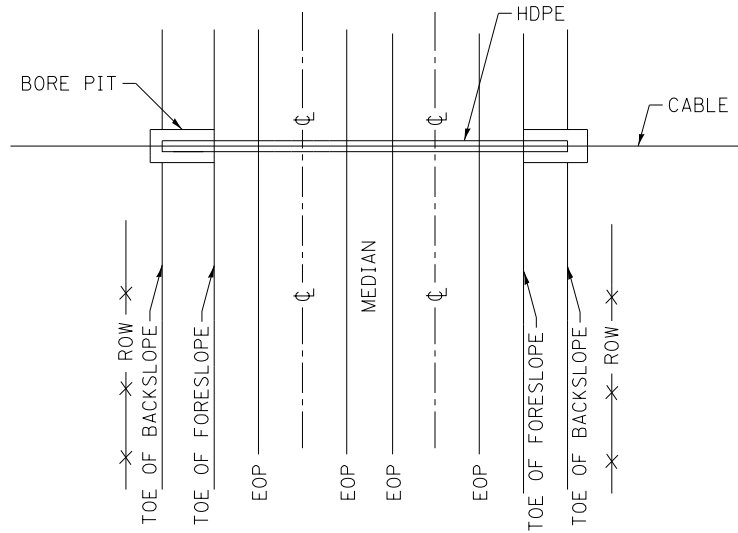


DATE	REVISIONS

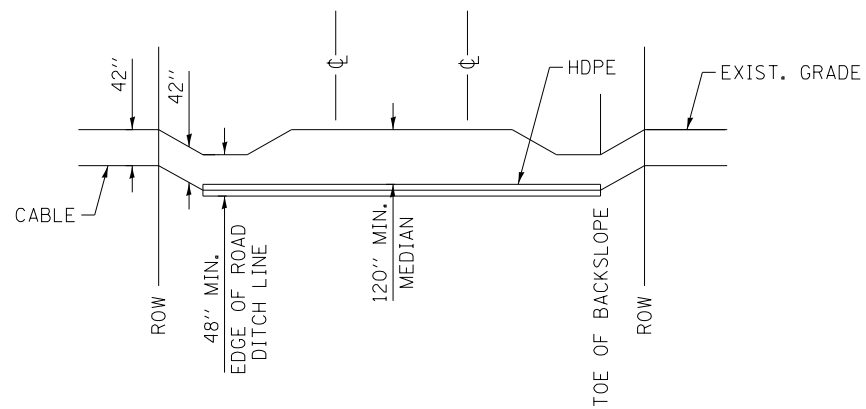
*Paul Kovacs*  
APPROVED ..... CHIEF ENGINEER ..... DATE 3-31-2017

TYPICAL ROAD CROSSING

PLAN VIEW



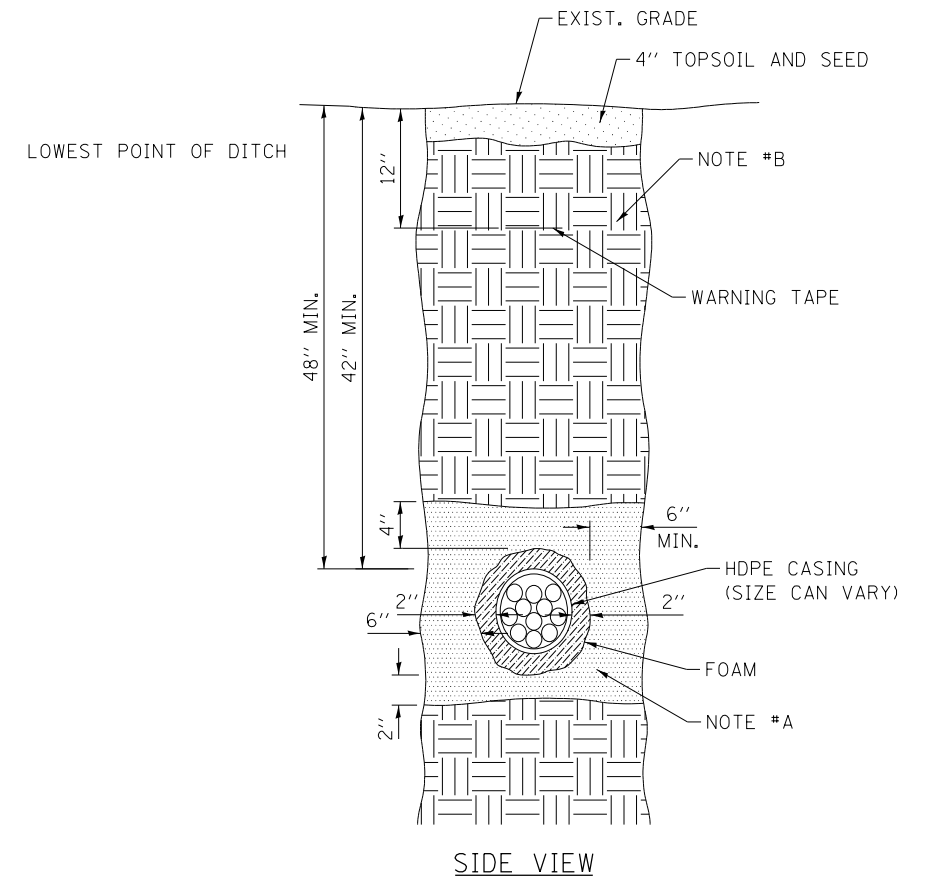
PROFILE VIEW



TYPICAL ROAD CROSSINGS

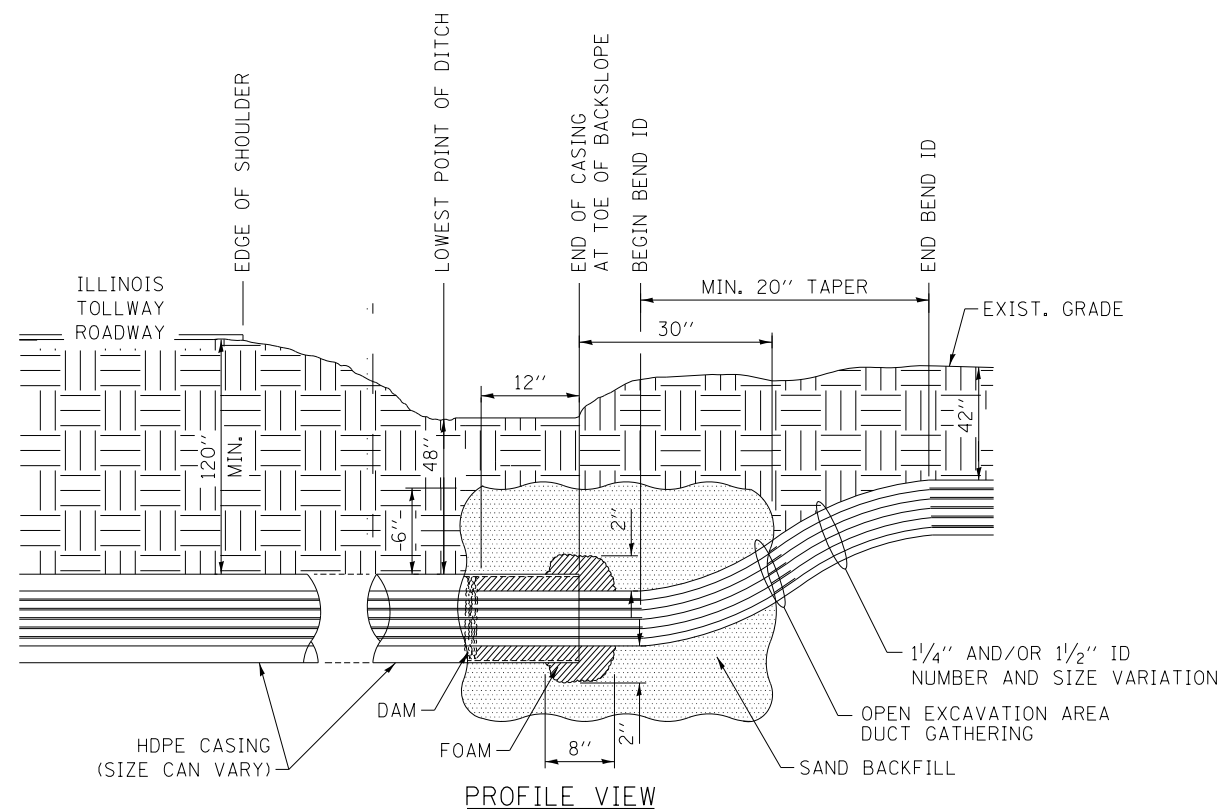
GENERAL NOTES:

1. UNDERGROUND CONDUIT SHALL BE PLACED AT 42" MINIMUM COVER UNLESS OTHERWISE SPECIFIED ON THE PLANS.
2. UNDERGROUND CONDUIT SHALL BE PLACED AT 48" MINIMUM COVER UNDER STREAM, CREEK AND DRAINAGE DITCH'S UNLESS OTHERWISE SPECIFIED ON THE PLANS.
3. THE MINIMUM COVER UNDER A PUBLIC ROADWAY, ILLINOIS TOLLWAY HIGHWAY AND RAMPS SHALL BE 120" OR SUCH GREATER DEPTH AS MAY BE REQUIRED TO CLEAR THE PAVEMENT STRUCTURE.
4. IF WHILE LOWERING THE DUCTS, THERE IS NOT ENOUGH SLACK IN THE DUCTS, ADDITIONAL DUCT SHALL BE ADDED. EMPTY DUCTS CAN BE CUT AND HAVE NEW DUCT FUSED ON. DUCTS WITH FIBER INSTALLED SHALL BE RING CUT WITH A TUBE CUTTER SO AS NOT TO DAMAGE THE FIBER.
5. HDPE CASING SHALL EXTEND FROM TOE OF BACK SLOPE TO TOE OF BACK SLOPE UNLESS OTHERWISE APPROVED.
6. BORE AND RECEIVING PITS SHALL BE A MINIMUM OF 30 FEET FROM THE EDGE OF SHOULDER ON TOLL HIGHWAYS UNLESS OTHERWISE APPROVED.
7. TOP OF CASING SHALL BE A MINIMUM OF 48" BELOW THE DESIGNED DITCH GRADES ON EACH SIDE OF HIGHWAY.
8. ENDS OF ALL CASING SHALL BE FOAM PLUGGED. (ARNCO HYDRA-SEAL S-60 OR ENGINEER APPROVED EQUAL).
9. PITS FOR BORING ARE NOT PERMITTED IN THE HIGHWAY MEDIAN.
10. TOP HDPE CASING SHALL BE A MIN. OF 120" BELOW LOWEST ILLINOIS TOLLWAY ROAD SURFACE.
11. ALL CONDUIT USED ABOVE GROUND SHALL BE PVC COATED GALVANIZED RIGID STEEL ACCORDING TO SECTION 811 OF THE STANDARD SPECIFICATIONS, AS MODIFIED BY THE TOLLWAY SUPPLEMENTAL SPECIFICATIONS.



CONSTRUCTION NOTES TRENCHED HDPE BUNDLES

- A. A MINIMUM OF 2" OF SAND SHALL BE PLACED UNDER THE CONDUIT. SAND SHALL TRANSITION TO BACKFILL ACCORDING TO NOTE B 4" ABOVE CONDUIT.
- B. BACKFILL SHALL BE ACCORDING TO ARTICLE 810.04 OF THE STANDARD SPECIFICATIONS.



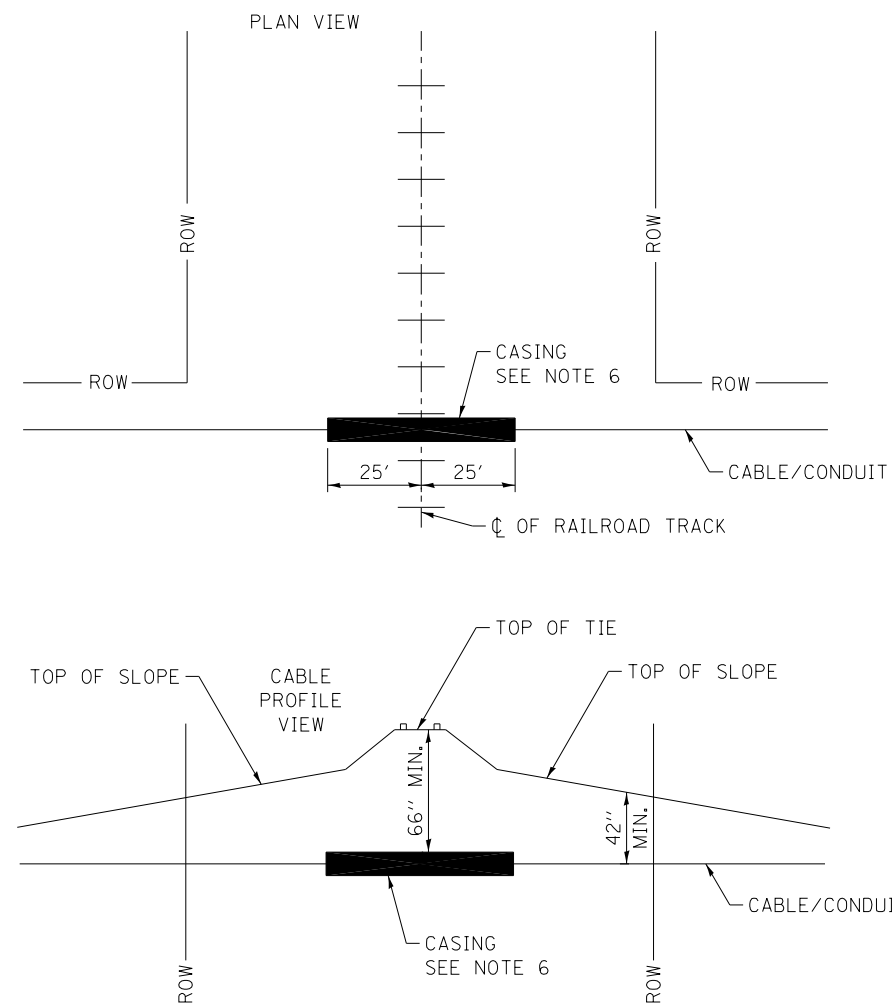
PROFILE VIEW



DATE	REVISIONS

OUTSIDE PLANT TYPICAL BORES

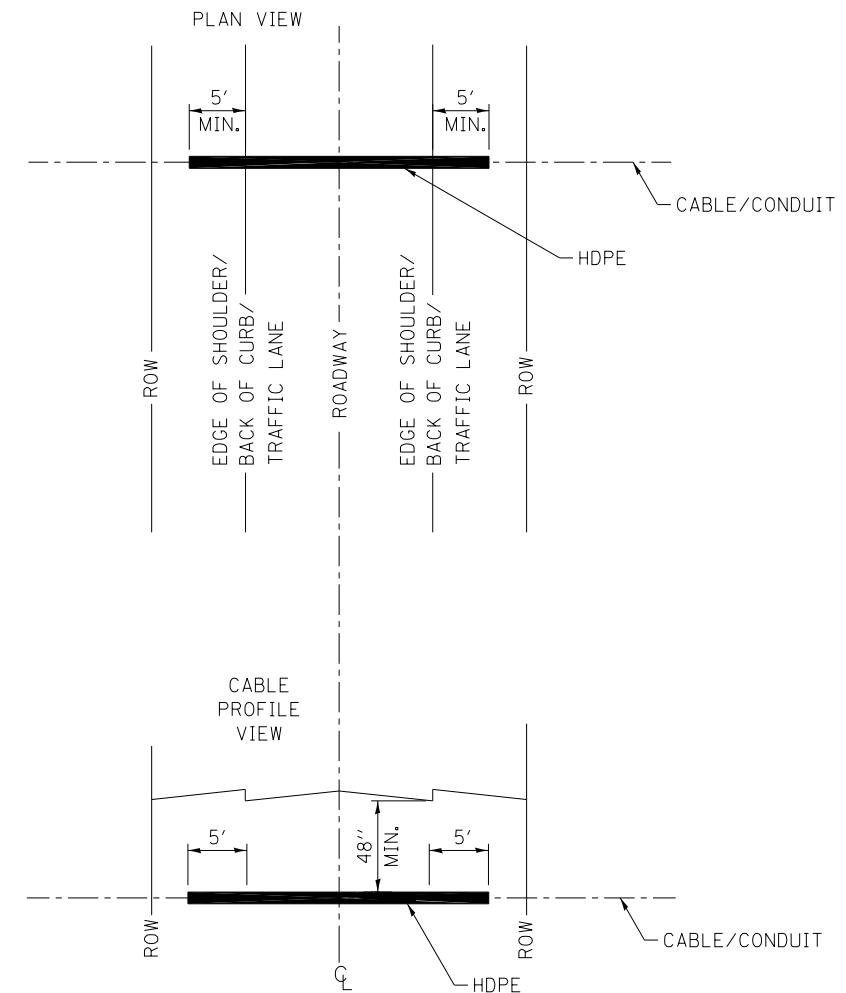
TYPICAL RAILROAD BORE OR JACK



NOTES FOR RAILROAD BORE OR JACK

1. CASING SHALL EXTEND 25 FT. EACH SIDE OF C.L. OF OUTERMOST TRACK OR AS DICTATED BY RAILROAD PERMIT.
2. R.R. BALLAST SHALL NOT BE DISTURBED.
3. BORE AND RECEIVING PITS SHALL NOT BE EXCAVATED CLOSER THAN 10 FT. FROM THE TOE OF SLOPE ON EACH SIDE OF TRACK.
4. ENDS OF ALL CASING SHALL BE FOAM PLUGGED (ARNCO HYDRA-SEAL S-60 OR ENGINEER APPROVAL EQUAL). SEE SHEET 2 OF THIS SERIES.
5. ALL OPERATIONS SHALL MEET REGULATING AGENCY REQUIREMENTS.
6. CASING AS REQUIRED BY CUSTOMER OR RAILROAD OWNER.
7. DEPTH TO TOP OF CASING TO TOP OF RR TIE MAY BE GREATER THAN 66" AS REQUIRED BY RAILROAD OWNER, NEVER LESS THAN 66".

TYPICAL CITY ST. AND DRIVEWAY BORE OR JACK



NOTES FOR CITY STREET AND DRIVEWAY BORE OR JACK

1. HDPE SHALL EXTEND 5 FT. EACH SIDE OF EDGE OF SHOULDER/BACK OF CURB.
2. BORE AND RECEIVING PITS SHALL NOT BE EXCAVATED WITHIN 5 FT. OF EDGE OF SHOULDER/BACK OF CURB.
3. ENDS OF ALL HDPE SHALL BE FOAM PLUGGED. (ARNCO HYDRA-SEAL S-60 OR ENGINEER APPROVED EQUAL). SEE SHEET 2 OF THIS SERIES.
4. HDPE SHALL BE A MINIMUM OF 48" BELOW PAVEMENT ELEVATION TO TOP OF HDPE, MAY BE GREATER THAN 48" AS REQUIRED BY CITY, VILLAGE AND/OR TWP/COUNTY.
5. ALL OPERATIONS SHALL MEET REGULATING AGENCY REQUIREMENTS.

SHEET 3 OF 14



FIBER OPTIC SYSTEM  
TYPICALS AND DRAWINGS

STANDARD L1-00

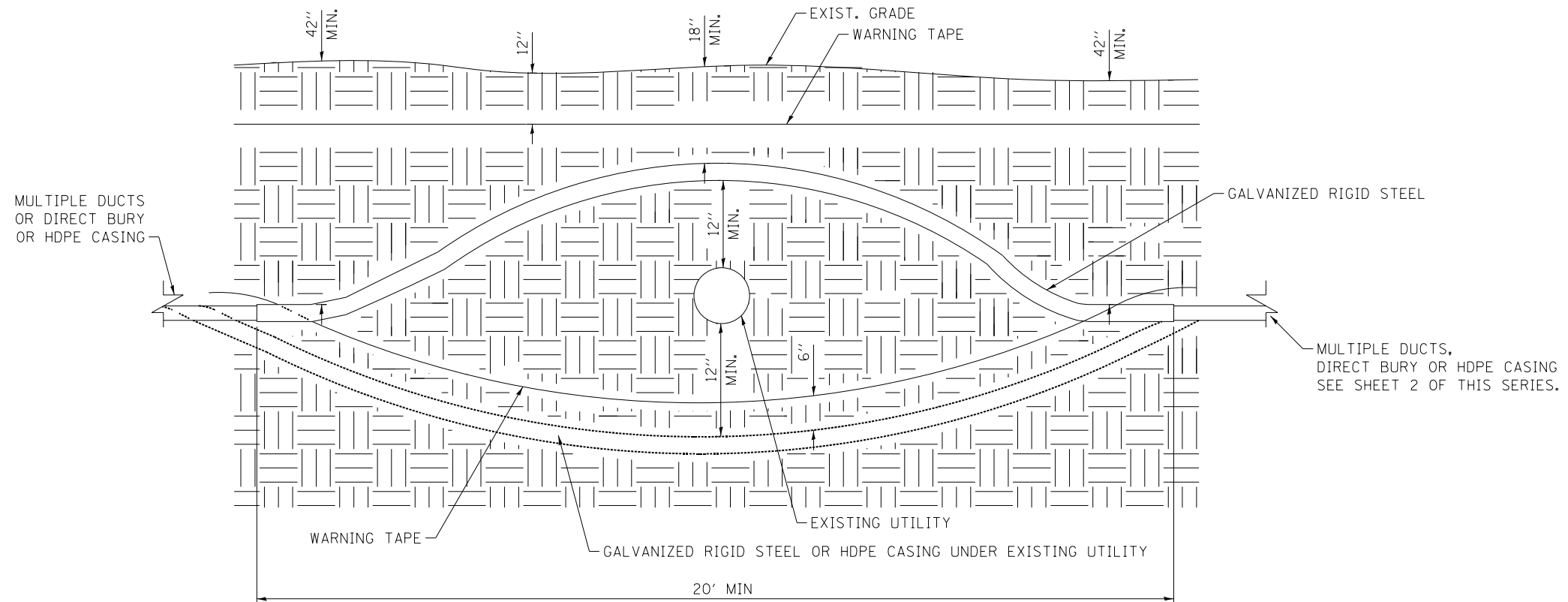
DATE	REVISIONS

APPROVED *Paul Kovacs* CHIEF ENGINEER DATE 3-31-2017


UTILITY AVOIDANCE DETAIL

NOTES:

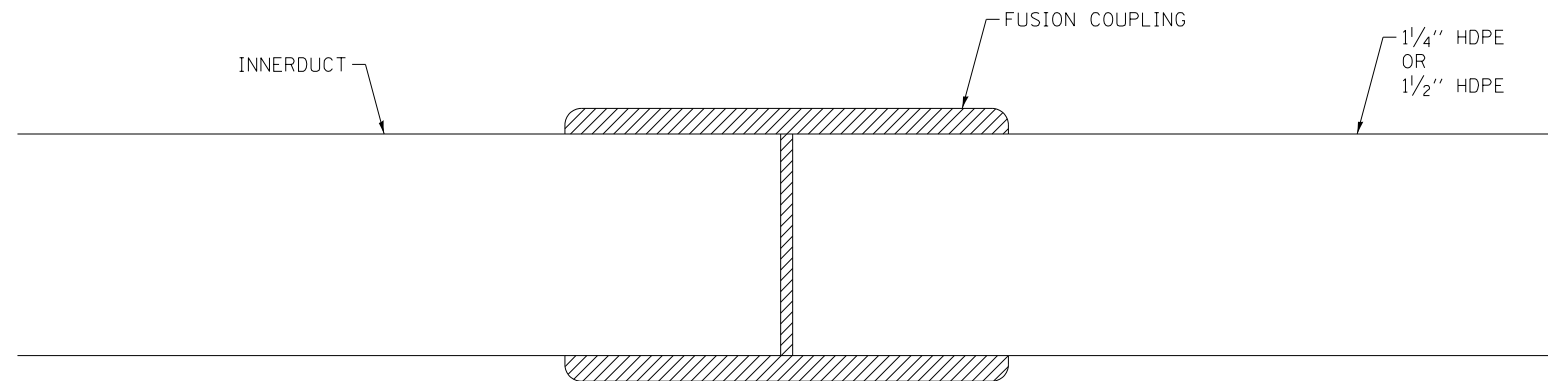
1. IF 18" MIN COVER CANNOT BE ACHIEVED, HDPE(S) MUST BE PLACED UNDER EXISTING UTILITY.
2. 12" MIN SEPARATION MUST BE ADHERED TO BETWEEN GALVANIZED RIGID STEEL/CASING HDPE AND EXISTING UTILITY.
3. NO DIRECT BURY UNDER ANY EXISTING UTILITY.
4. 18" TO 24" SEPARATION FOR OIL, GAS UTILITY BETWEEN PIPE AND CONDUIT.
5. IF CROSSING AN EXISTING UTILITY, SHOULD BE CONSTRUCTED AS CLOSE TO 90° AS POSSIBLE.



DATE	REVISIONS

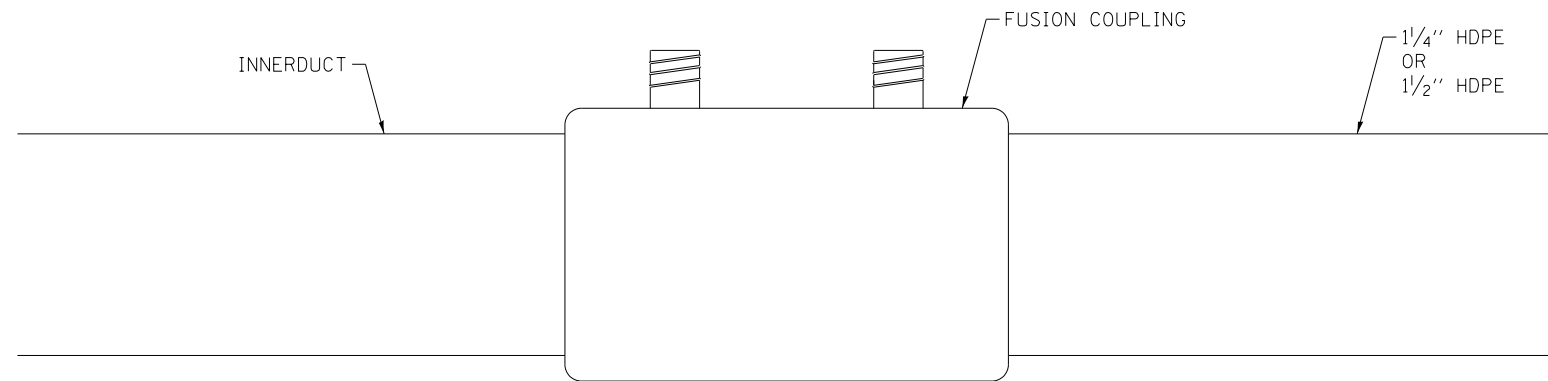
  
 APPROVED ..... CHIEF ENGINEER ..... DATE 3-31-2017

FUSION COUPLINGS DETAIL



NOTE:  
 IN A PROPER ELECTROFUSION JOINT, MOLTEN MATERIAL FLOWS TO THE COLD ZONE WHERE IT SOLIDIFIES AND FREEZES OFF THE ESCAPE PATH. WITH THE MOLTEN MATERIAL CONTAINED, MELT PENETRATION WILL BUILD INTERFACE PRESSURE. WIRE WINDINGS WILL FLOW IN A DESIGNED AND CONTROLLED PATTERN AND A PROPER BONDING OF MATERIALS CAN BE OBTAINED.

PROPER FUSION DETAIL



STANDARD JOINING PROCEDURES

1. ONLY FUSION COUPLINGS SHALL BE USED. COMPRESSION COUPLINGS SHALL NOT BE ALLOWED.
2. SHALL INSTALL PER FUSION COUPLING MANUFACTURER RECOMMENDATIONS.
3. THE PIPE SHALL HAVE A SQUARE EVEN CUT.
4. REMOVE ANY BURRS OR SHAVING FROM THE PIPE ENDS THAT MAY HAVE DEVELOPED DURING THE CUTTING PROCESS.
5. CLEAN PIPE ENDS INSIDE AND OUT WITH A CLEAN CLOTH TO REMOVE ANY DIRT OR CONTAMINANTS.
6. PIPE PREPARATION AND CONTAMINATION ARE VERY IMPORTANT CONSIDERATIONS IN THE ELECTROFUSION PROCESS. THEREFORE, CAREFUL ATTENTION SHALL BE GIVEN TO PROPER SCRAPING AND CLEANING PROCEDURES.
7. SCRAPE PIPE ENDS TO REMOVE ANY OXIDATION OR SURFACE CONTAMINATION. FOR BEST RESULTS, SECURE TOOL ON PIPE AND MAKE TWO REVOLUTIONS.
8. DISCONNECT LEADS FROM FITTING. CLAMPING DEVICE SHALL REMAIN IN PLACE TO SECURE PIPE AND FITTING DURING THE RECOMMENDED COOLING TIME. AFTER REMOVING CLAMP, ADDITIONAL COOLING TIME SHALL BE ALLOWED BEFORE SUBJECTING THE JOINT TO BENDING, BURYING, PRESSURE TESTING, OR SIMILAR HANDLING AND BACKFILL STRESS.

NOTE: IN THE EVENT OF OUT-OF-ROUND PIPE, IT IS IMPORTANT TO ASSURE AN ADEQUATE AND EVEN SCRAPE IS ACHIEVED AROUND THE ENTIRE CIRCUMFERENCE OF THE PIPE. A RUBBER PIPE STOPPER CAN BE PLACED IN THE END OF THE PIPE TO AID IN ROUNDING THE AREA TO BE SCRAPED.

9. MULTIPLE DUCTS FUSION SHALL BE STAGGERED AND AFTER COMPLETION SHALL BE BOUND TOGETHER WITH TY-STRAPS (AT 5' SPACING) SO TO OCCUPY MINIMUM POSSIBLE SPACE AND THEN BACKFILLED.



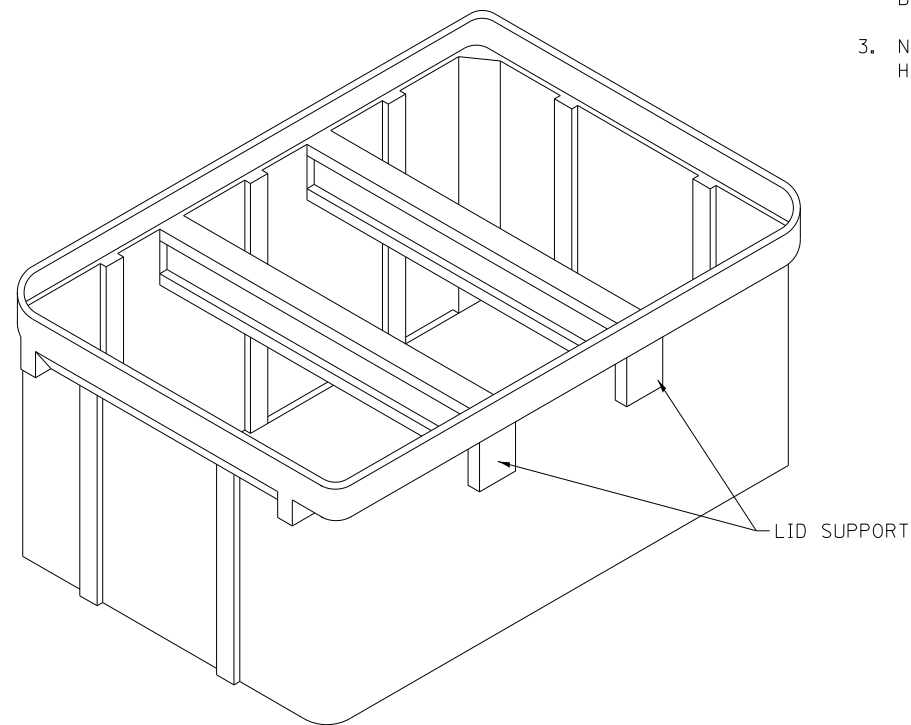
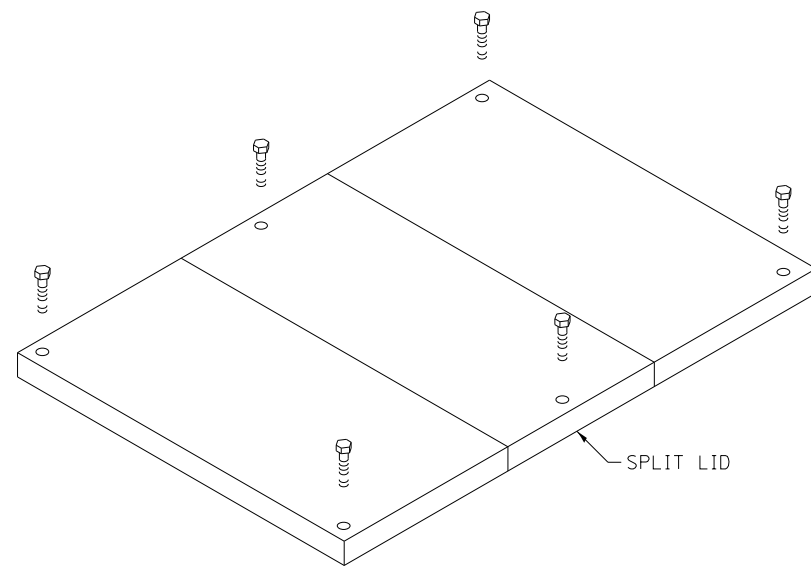
DATE	REVISIONS

FIBER OPTIC SYSTEM  
 TYPICALS AND DRAWINGS

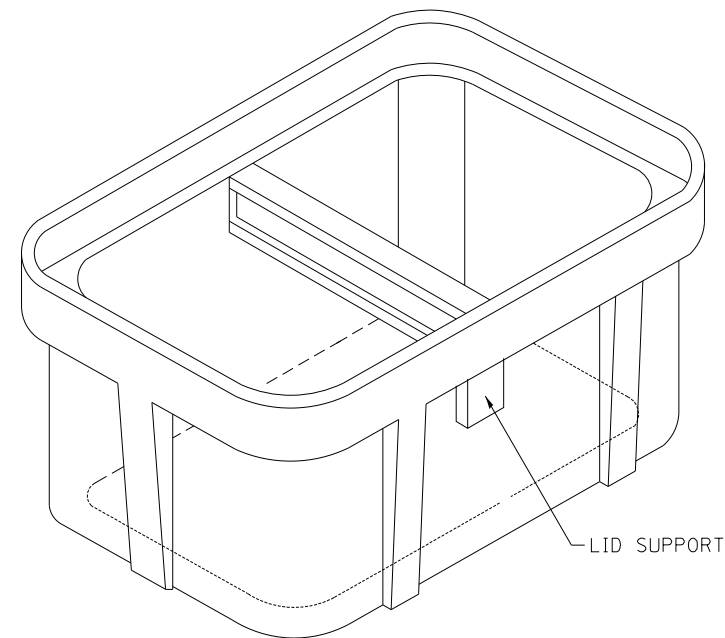
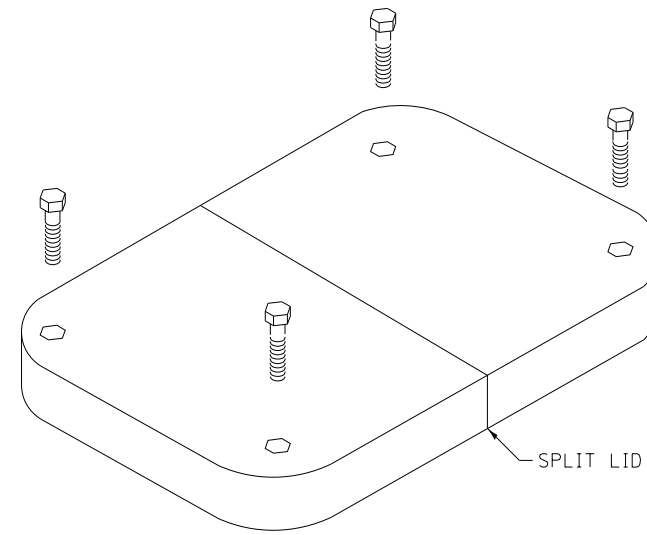
STANDARD L1-00

*Paul Kovacs*  
 APPROVED ..... CHIEF ENGINEER ..... DATE 3-31-2017

HANDHOLE



4'x6' HANDHOLE  
2 OR 3 SECTION SPLIT LID  
(PG STYLE LARGE BOX)  
5-1 1/4" OR MORE DUCTS




3'x5' HANDHOLE  
SINGLE OR SPLIT LID  
LESS THAN 5-1 1/4" DUCTS

NOTES:

1. NO MARKING ON LID.
2. ALL BOLTS SHALL BE 1/2" x 3 1/2" HEX HEAD ASTM STANDARD F593C STAINLESS STEEL BOLTS.
3. NO CORING/DRILLING OR ALTERATION OF HANDHOLE SHALL BE ALLOWED.



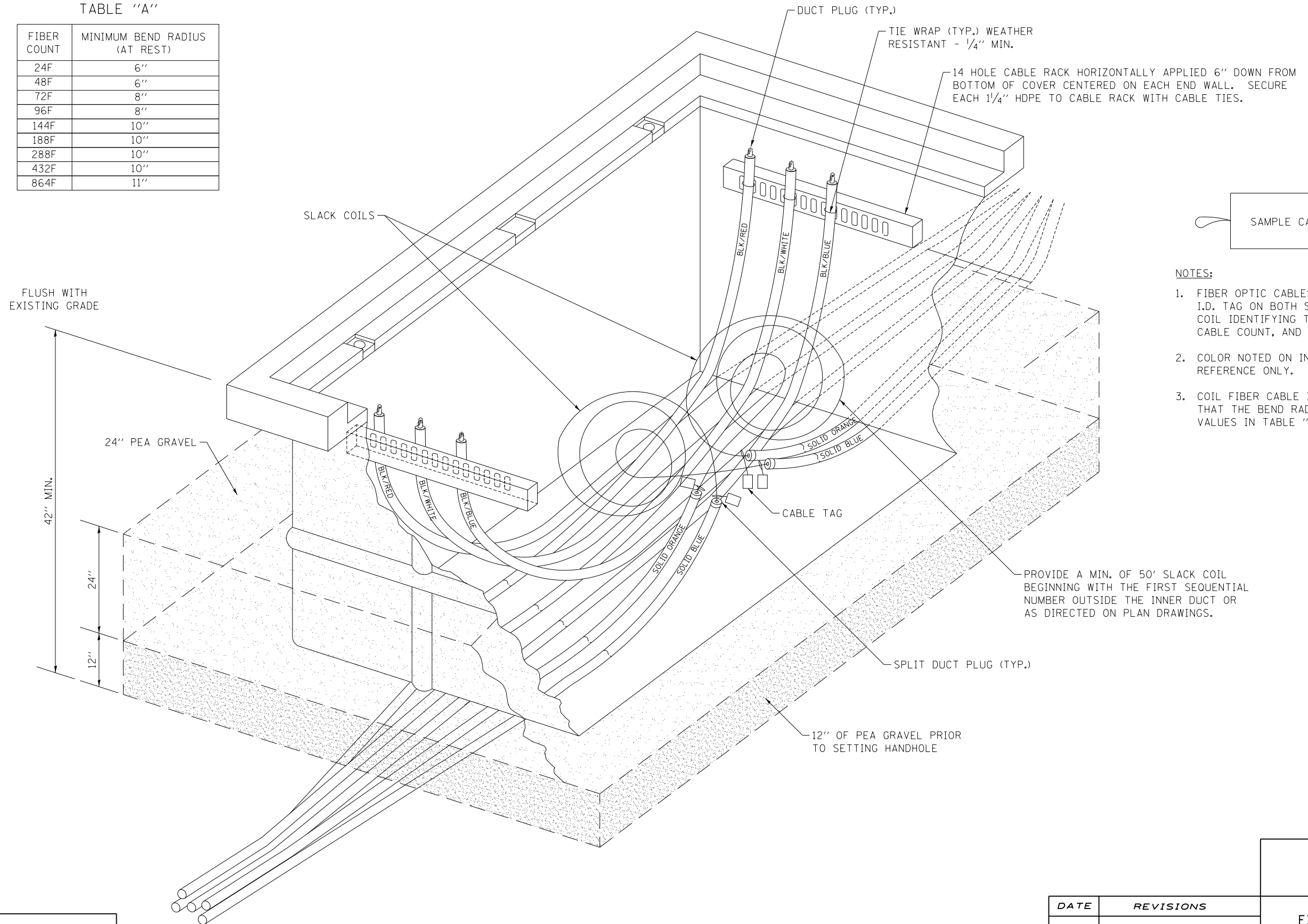
DATE	REVISIONS

  
 APPROVED ..... CHIEF ENGINEER ..... DATE 3-31-2017

HDPE AND FIBER OPTIC CABLE PLACEMENT IN HANDHOLE

TABLE "A"

FIBER COUNT	MINIMUM BEND RADIUS (AT REST)
24F	6"
48F	6"
72F	8"
96F	8"
144F	10"
188F	10"
288F	10"
432F	10"
864F	11"




NOTES:

1. FIBER OPTIC CABLES SHALL HAVE A CABLE I.D. TAG ON BOTH SIDES OF THE SLACK COIL IDENTIFYING THE OWNER, DUCT COLOR, CABLE COUNT, AND DIRECTION.
2. COLOR NOTED ON INNERDUCTS IS FOR REFERENCE ONLY.
3. COIL FIBER CABLE IN HANDHOLE ENSURING THAT THE BEND RADIUS DOES NOT EXCEED VALUES IN TABLE "A".

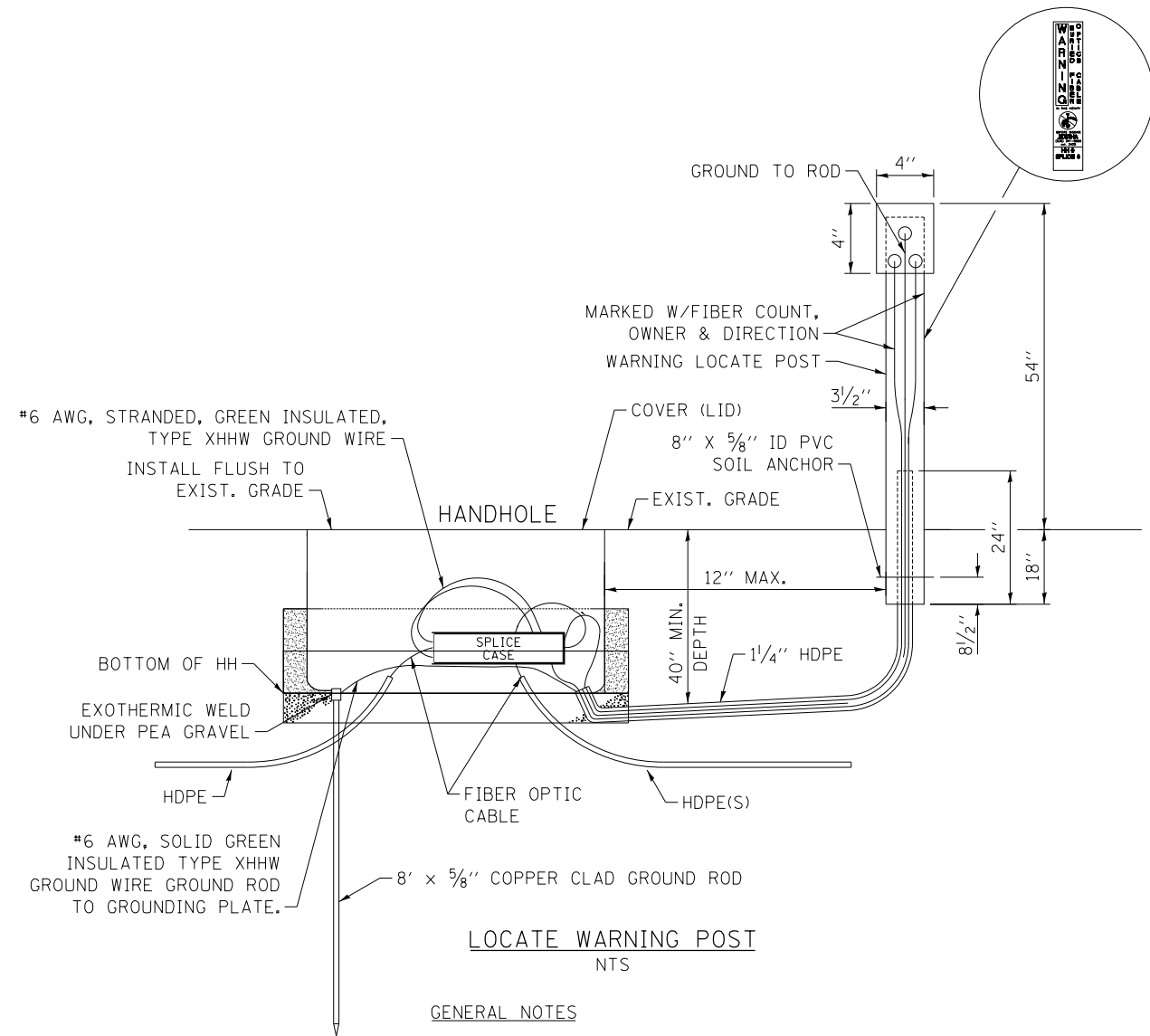
PROVIDE A MIN. OF 50' SLACK COIL BEGINNING WITH THE FIRST SEQUENTIAL NUMBER OUTSIDE THE INNER DUCT OR AS DIRECTED ON PLAN DRAWINGS.



DATE	REVISIONS

  
 APPROVED ..... CHIEF ENGINEER ..... DATE 3-31-2017

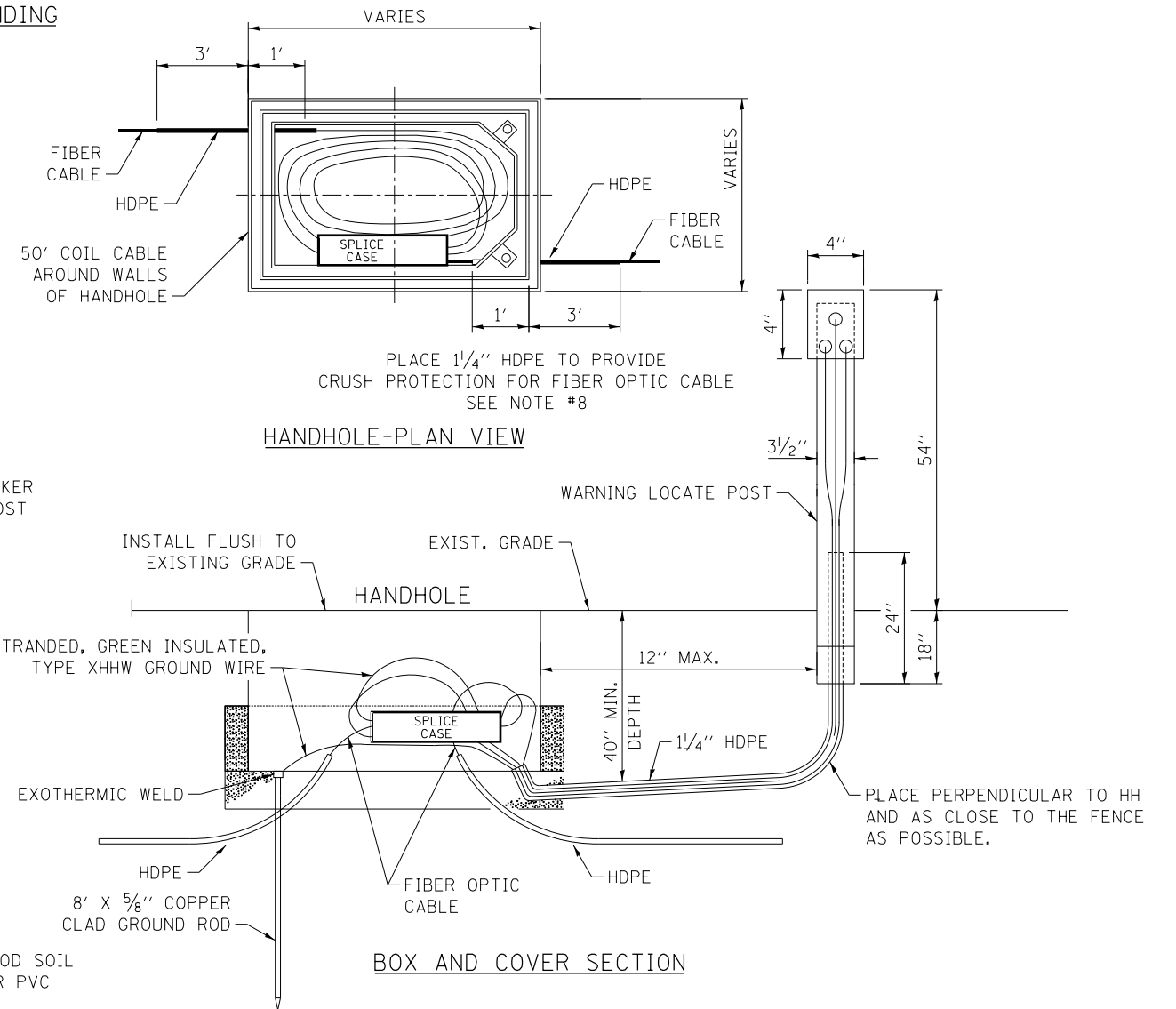
FIBER HANDHOLE GROUNDING  
LATERAL HANDHOLE GROUNDING



LOCATE WARNING POST  
NTS

GENERAL NOTES

- ROUTE MARKER SHALL BE PLACED 1 FOOT FROM HANDHOLE OR AT FENCE LINE IF POSSIBLE.
- HANDHOLES SHALL BE BACKFILLED ONLY TO THE TOP OF THE BOX, FLUSH TO EXISTING GRADE.
- COIL FIBER CABLE IN HANDHOLE ENSURING THAT THE BEND RADIUS SHALL NOT EXCEED 6".
- INSTALL GROUND ROD & EXOTHERMIC WELD AS PER MANUFACTURER'S INSTRUCTIONS. PLACE THE #6 GROUND WIRE (TYPE XHHW, SOLID, GREEN INSULATED) THAT HAS BEEN ATTACHED TO THE GROUND ROD AND TO THE CENTER LUG OF THE LOCATE POST.
- BACKFILL MATERIAL SHALL BE COMPACTED TO THE SATISFACTION OF THE ENGINEER.
- GROUND WIRE SHALL BE BONDED TO BOTH SHEATHS OF ARMORED FIBER OPTIC CABLE IN THE SPLICE ENCLOSURE USING #6 GROUND STRANDED, GREEN INSULATED WIRE. EACH GROUND SHALL BE ISOLATED WITHIN THE ENCLOSURE.
- INSTALL 1/4" HDPE CONDUIT FROM HANDHOLE TO WARNING POST TO ALLOW GROUNDING CABLE AND LOCATE TRACE WIRES TO BE INSTALLED.



BOX AND COVER SECTION

- PLACE 1/4" HDPE OVER FIBER OPTIC CABLE TO PROVIDE CRUSH PROTECTION EXTEND HDPE 1' INSIDE HANDHOLE.
- NO HANDHOLES WILL BE ALLOWED IN PAVED ROADWAYS OR SHOULDERS.
- THE TOPS OF ALL HANDHOLES SHALL BE FLUSH WITH THE EXISTING GRADE.
- HANDHOLE SHALL NOT BE INSTALLED ON STEEP BANKS OR SLOPES WHERE THE COVER CANNOT BE LEVELED WITHIN A TOLERANCE OF ONE INCH (1") OF DROP TO TWELVE INCHES (12") OF GRADE AND REMAIN BURIED.
- A WATER PROOF SEALING SIMPLEX DUCT PLUG SHALL BE INSTALLED AROUND THE FIBER OPTIC TO SEAL AROUND THE CONDUIT. A WATER PROOF SEALING PLUG SHALL BE INSTALLED IN ALL VACANT CONDUIT.
- ANY WORK IN AN EXISTING SINGLE MODE HANDHOLE OR INVOLVING AN EXISTING SINGLE MODE DUCT AND FIBER SHALL BE COORDINATED WITH THE TOLLWAY FIBER OPTIC CONTRACTOR. USING A-36 PROCESS.
- FOR ALL SPLICE AND HANDHOLE, NUMBER DECALS SHALL BE APPLIED AFTER INSTALLATION IS COMPLETED.
- PLACEMENT OF SIGNS IS PREFERRED OVER POSTS. SIGNS SHALL BE USED ON LOCATIONS WHERE FENCE IS VISIBLE FROM ROAD. POSTS SHALL ONLY BE USED WHERE SIGN WOULD NOT BE VISIBLE FROM ROAD.

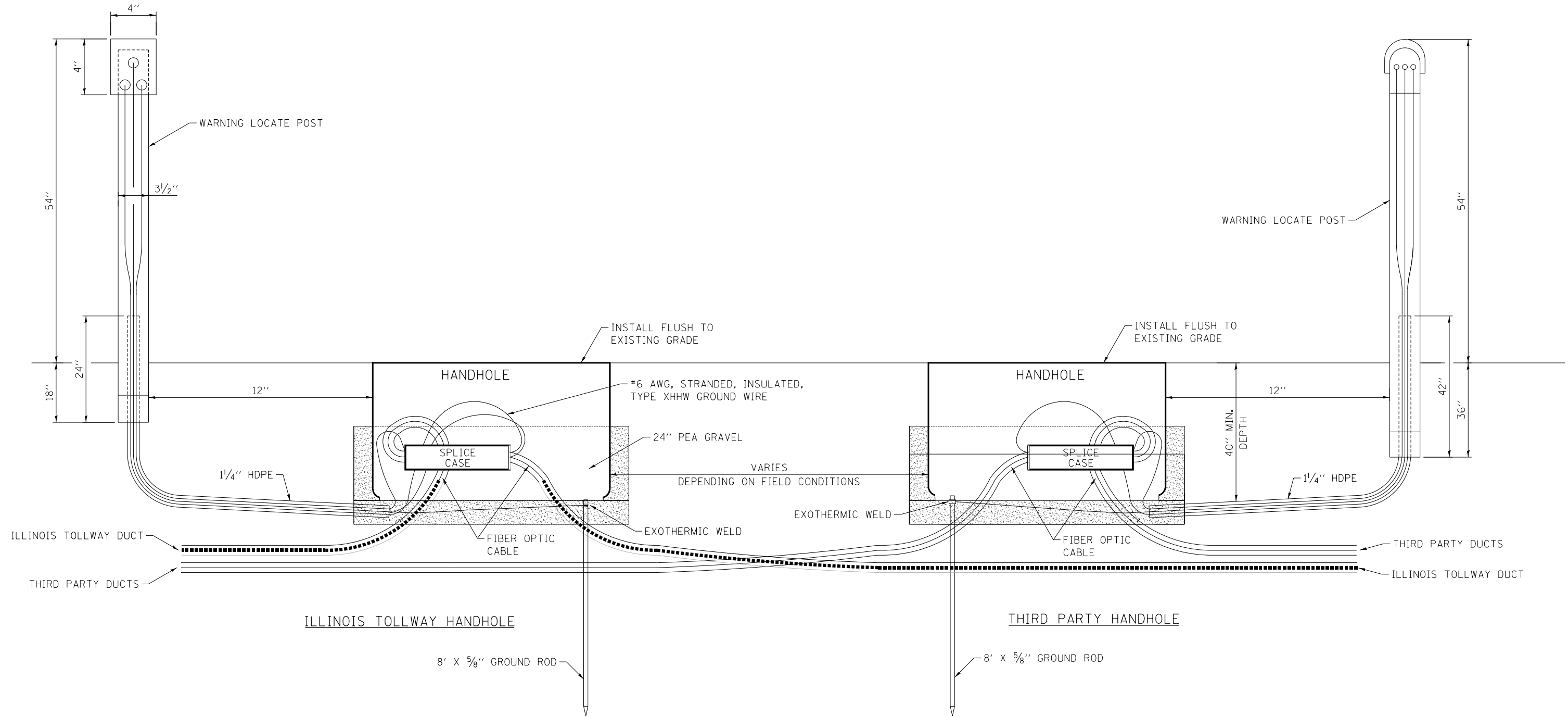
APPROVED *Paul Kovacs* CHIEF ENGINEER DATE 3-31-2017



DATE	REVISIONS



HANDHOLE SPLICE GROUNDING  
THIRD PARTY CONDUIT



NOTES:

1. WARNING LOCATE POST SHALL BE PLACED 1 FOOT FROM HANDHOLE OR AT FENCE LINE IF POSSIBLE.
2. HANDHOLES SHALL BE BACKFILLED ONLY TO THE TOP OF THE BOX FLUSH TO EXISTING GRADE.
3. INSTALL GROUND ROD & EXOTHERMIC WELD AS PER MANUFACTURER'S INSTRUCTIONS. PLACE THE #6 GROUND WIRE (TYPE XHHW, SOLID, GREEN INSULATED) THAT HAS BEEN ATTACHED TO THE GROUND ROD ON THE CENTER LUG OF THE WARNING LOCATE POST.
4. GROUND WIRE SHALL BE BONDED TO BOTH SHEATHS OF ARMORED FIBER OPTIC CABLE IN THE SPLICE ENCLOSURE USING #6 STRANDED GREEN INSULATED TYPE XHHW GROUND WIRE. EACH GROUND SHALL BE ISOLATED WITHIN THE ENCLOSURE.
5. PLACE 1/4" HDPE OVER FIBER OPTIC CABLE TO PROVIDE CRUSH PROTECTION EXTEND HDPE 1' INSIDE HANDHOLE.
6. NO HANDHOLES SHALL BE ALLOWED IN PAVED ROADWAYS OR SHOULDERS.
7. THE TOPS OF ALL HANDHOLES SHALL BE FLUSH WITH THE EXISTING GRADE UNLESS THE SLOPE IS GREATER THEN 1:4. IF SO, THE HANDHOLE WILL BE PLACED LEVEL WITH THE EARTH GRADED AROUND IT SO NO PART OF THE SIDES OF THE HANDHOLE IS EXPOSED.
8. A WARNING LOCATE POST SHALL BE INSTALLED AT ALL HANDHOLES.


SHEET 9 OF 14



FIBER OPTIC SYSTEM  
TYPICALS AND DRAWINGS

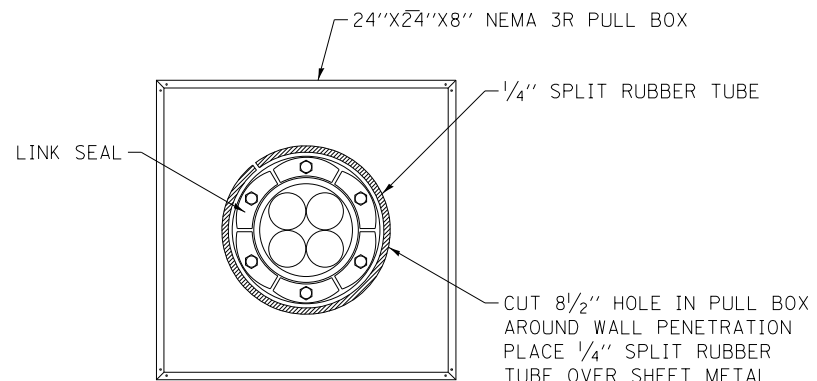
STANDARD L1-00

DATE	REVISIONS

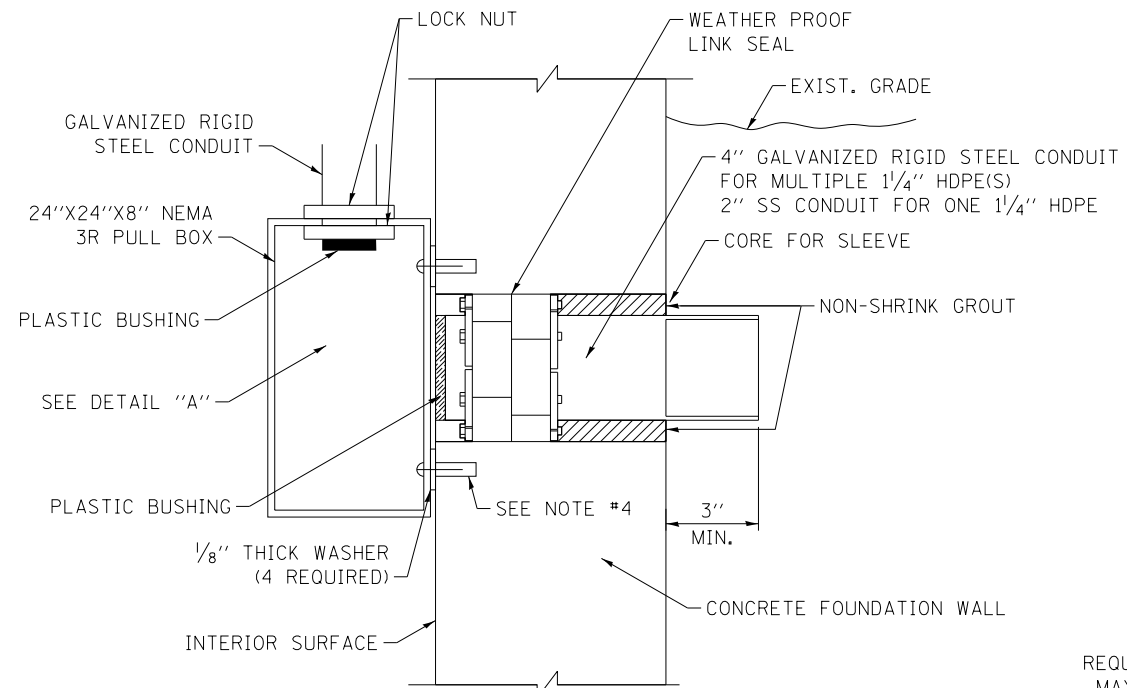
  
 APPROVED ..... CHIEF ENGINEER ..... DATE 3-31-2017

**WALL PENETRATION DETAIL**

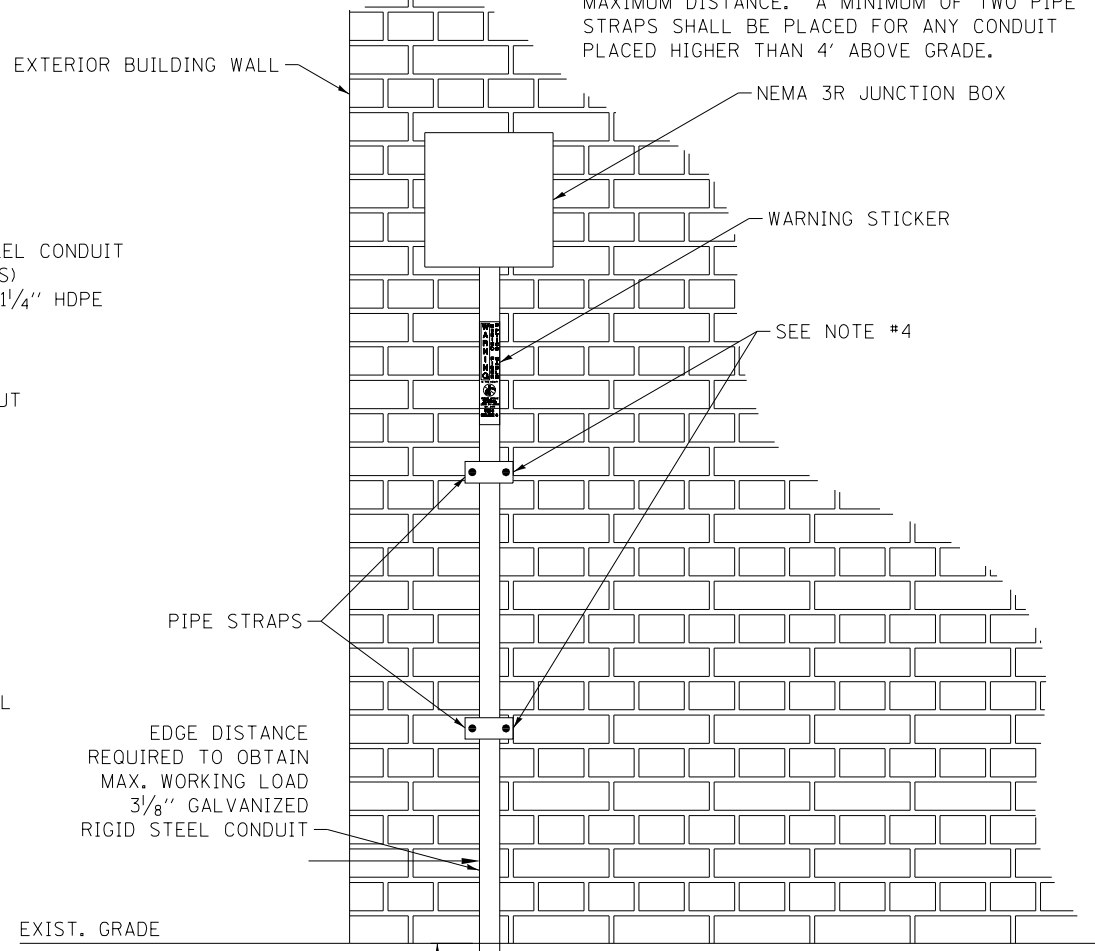
NOTE:  
THE MAXIMUM PIPE STRAP SPACING SHALL BE 30" MAX. VERTICAL AND 18" HORIZONTAL MAXIMUM DISTANCE. A MINIMUM OF TWO PIPE STRAPS SHALL BE PLACED FOR ANY CONDUIT PLACED HIGHER THAN 4' ABOVE GRADE.



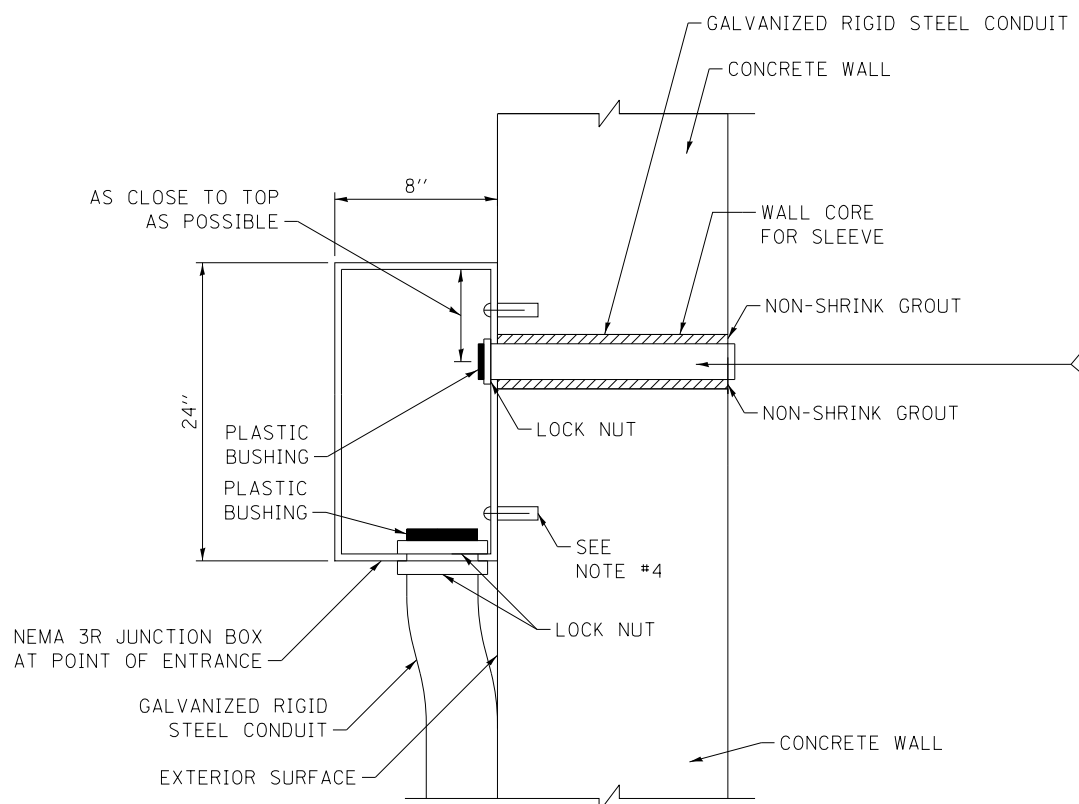
**DETAIL A**  
FRONT VIEW  
BELOW GRADE  
BUILDING ENTRANCE PULL BOX



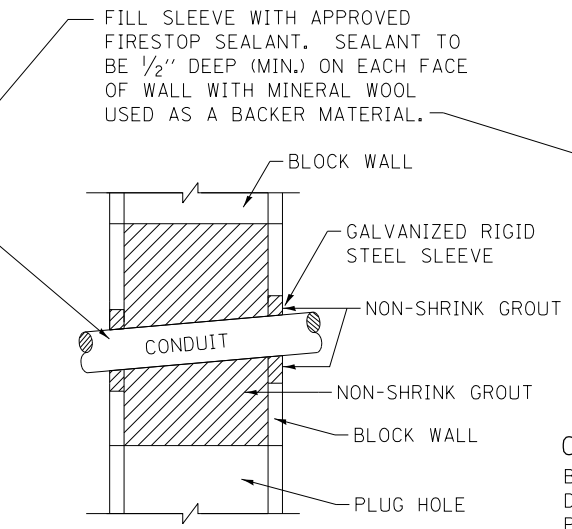
**DETAIL B**  
SIDE VIEW  
BELOW GRADE  
BUILDING ENTRANCE PULL BOX



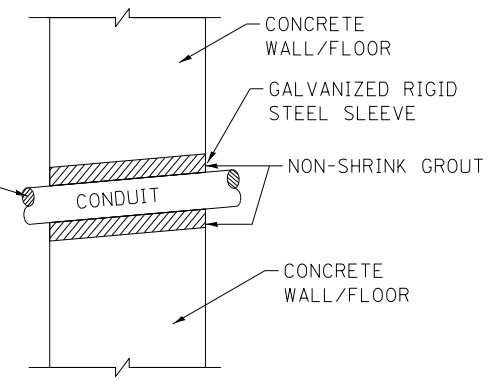
**DETAIL C**  
ABOVE GRADE  
BUILDING ENTRANCE  
CONDUIT



**DETAIL D**  
ABOVE GRADE  
BUILDING ENTRANCE PULL BOX



**DETAIL E**  
BLOCK WALL PENETRATION



**DETAIL F**  
CONCRETE WALL/FLOOR PENETRATION  
BUILDING PENETRATIONS SPECIFIED AS  
DETAIL F MAY BE A COMBINATION OF  
POURED OR HOLLOW CONCRETE BLOCK  
WITH A BRICK EXTERIOR. IF HOLLOW  
BLOCK IS ENCOUNTERED COMPLETE  
INSTALLATION PER DETAIL E THIS SHEET.

**GENERAL NOTES:**

1. ALL PENETRATIONS SHALL UTILIZE EXISTING UNUSED BUILDING PENETRATIONS TO THE MAXIMUM EXTENT POSSIBLE.
2. ALL EXTERIOR MATERIALS SHALL BE STAINLESS STEEL UNLESS OTHERWISE NOTED.
3. ALL ANCHORS SHALL BE INSTALLED IN SOUND CONCRETE OR MASONRY.
4. USE APPROVED MASONRY ANCHOR.



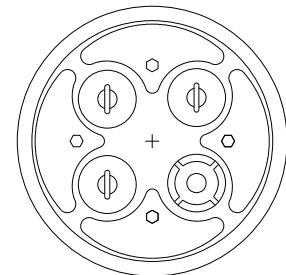
DATE	REVISIONS

FIBER OPTIC SYSTEM  
TYPICALS AND DRAWINGS

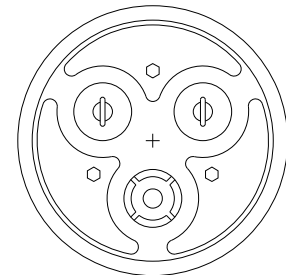
STANDARD L1-00

*Paul Kovacs*  
APPROVED CHIEF ENGINEER DATE 3-31-2017

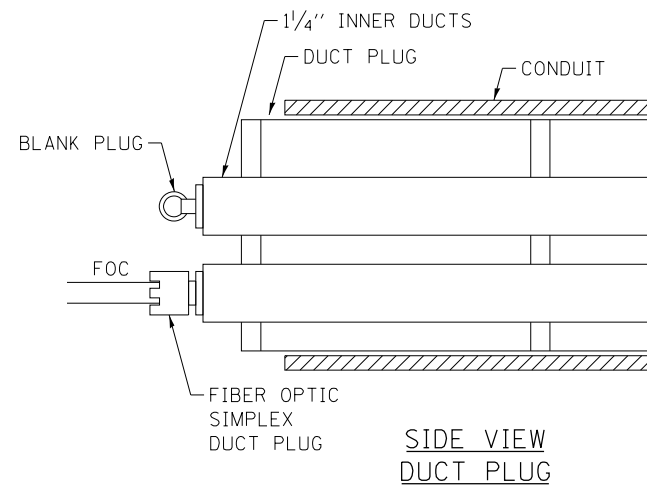
UNDERGROUND PENETRATION DETAIL



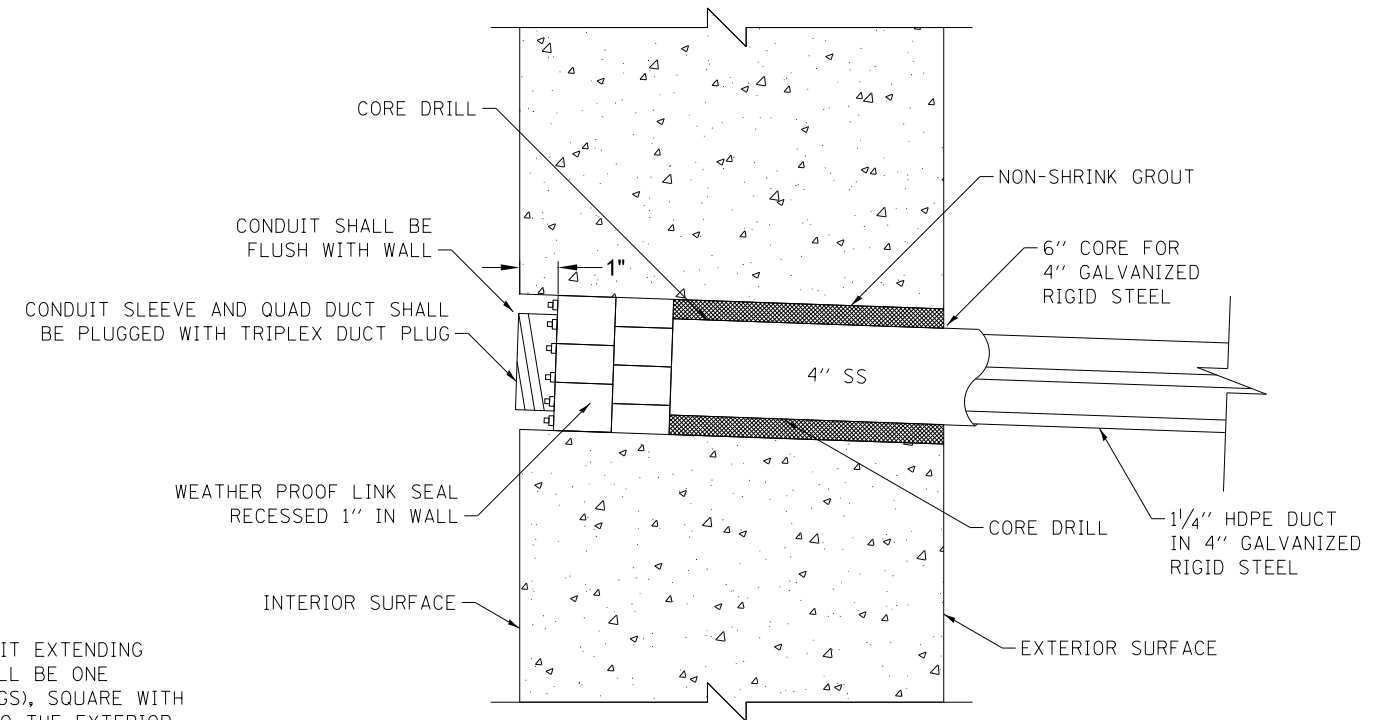
FRONT VIEW  
QUAD DUCT PLUG



FRONT VIEW  
DUCT PLUG



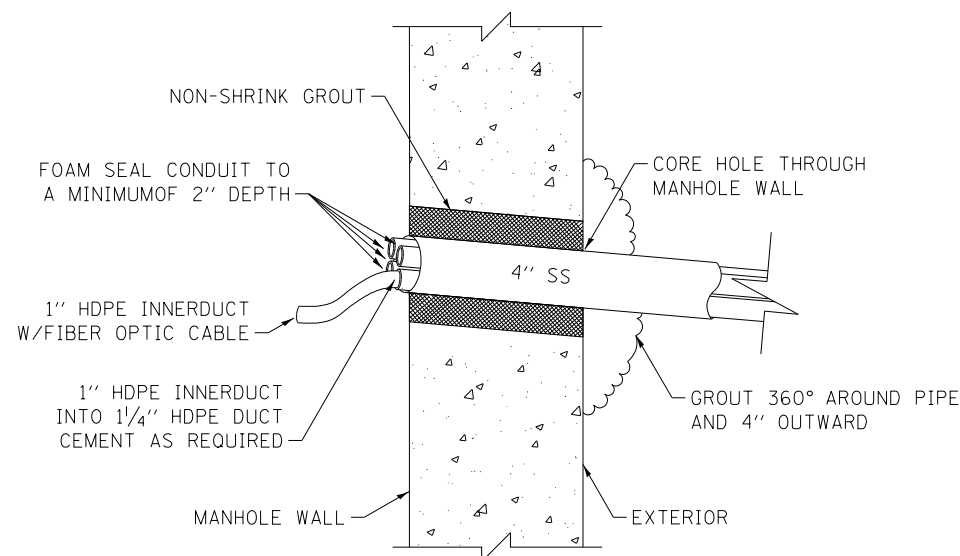
DUCT PLUG DETAIL  
NOT TO SCALE



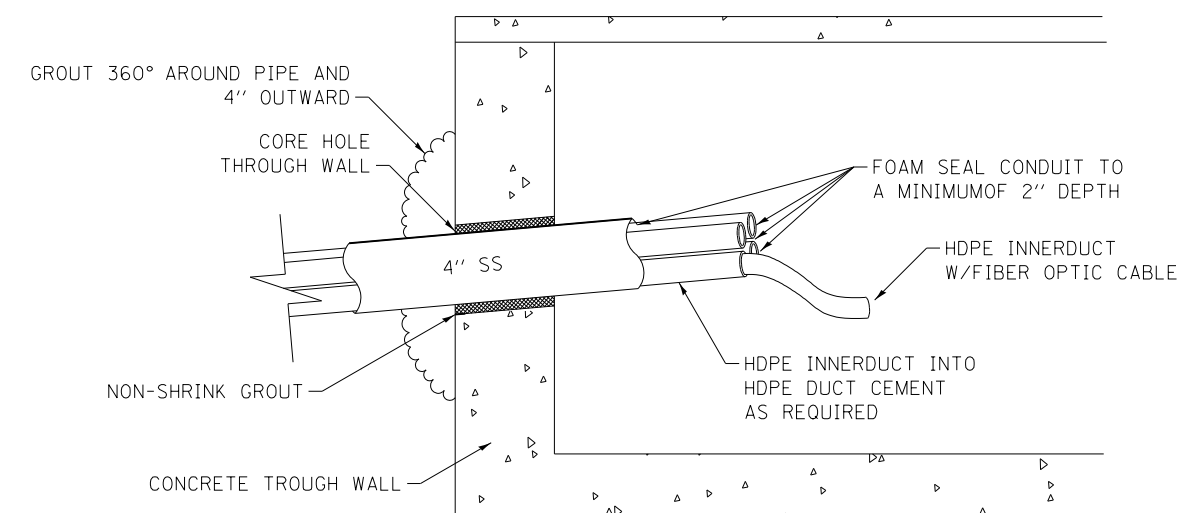
BELOW GRADE PENETRATION BUILDING  
NOT TO SCALE

GENERAL NOTES:

1. GALVANIZED RIGID STEEL CONDUIT EXTENDING THROUGH FOUNDATION WALL SHALL BE ONE CONTINUOUS PIECE (NO COUPLINGS), SQUARE WITH BUILDING AT A SLIGHT ANGLE TO THE EXTERIOR TO PREVENT WATER SEEPAGE.



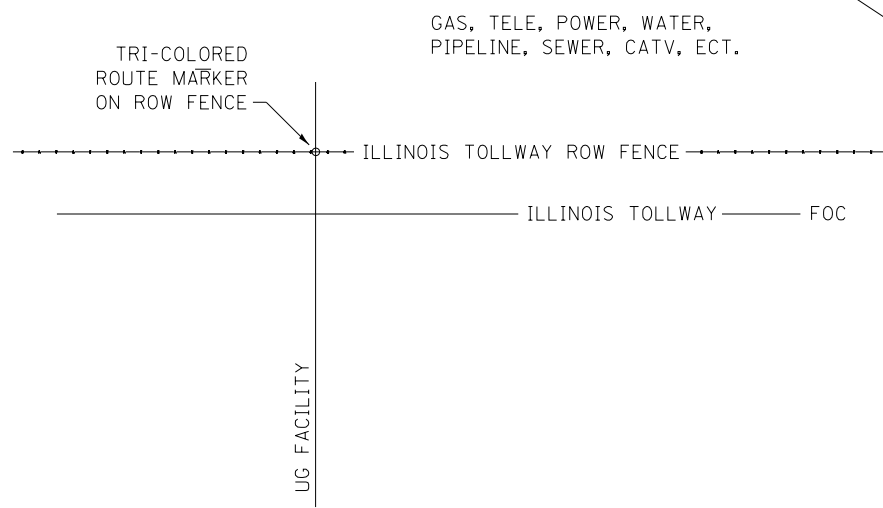
MANHOLE PENETRATION DETAIL  
NOT TO SCALE



CONCRETE TROUGH PENETRATION  
NOT TO SCALE



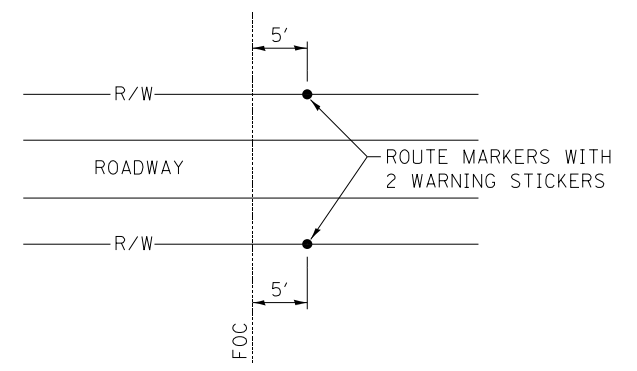
DATE	REVISIONS



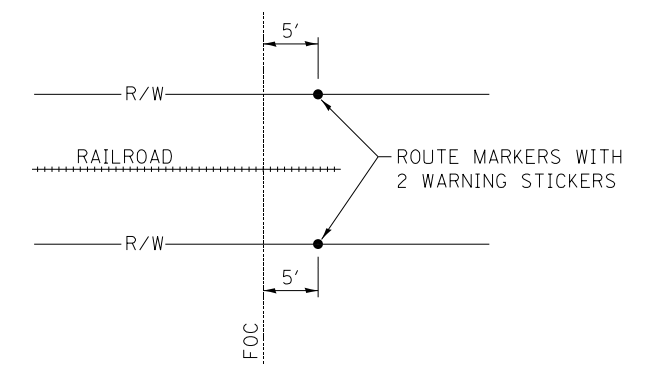
FACILITY CROSSING  
FIG. 1

GAS, TELE, POWER, WATER,  
PIPELINE, SEWER, CATV, ECT.

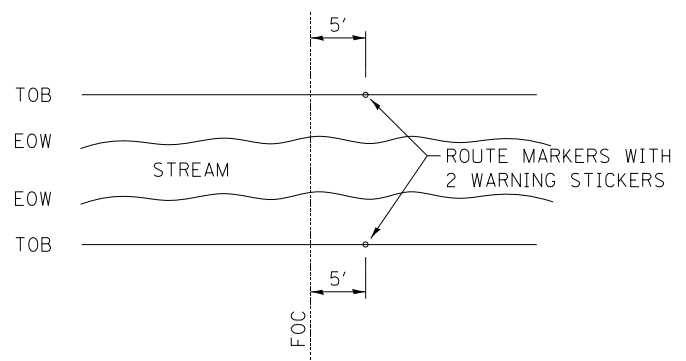
BURIED CABLE SIGNAGE



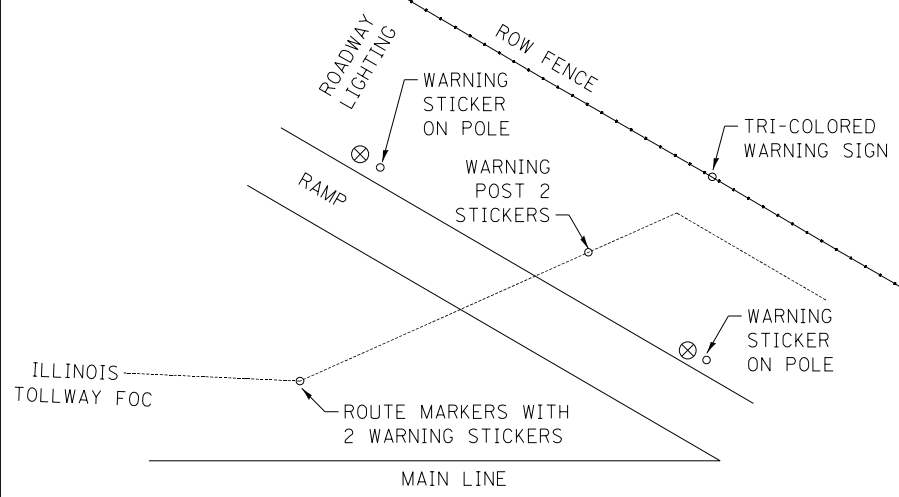
TYPICAL MARKER PLACEMENT AT ROAD AND BRIDGE CROSSING  
FIG. 2



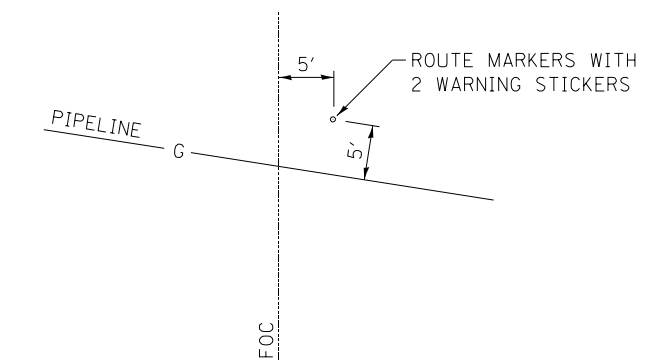
TYPICAL MARKER PLACEMENT AT RAILROAD CROSSING  
FIG. 3



TYPICAL MARKER PLACEMENT AT RIVER,  
CREEK & DRAINAGE DITCH CROSSING  
FIG. 4



ON/OFF RAMP CROSSING  
FIG. 5



TYPICAL MARKER PLACEMENT AT PIPELINE CROSSING  
FIG. 6

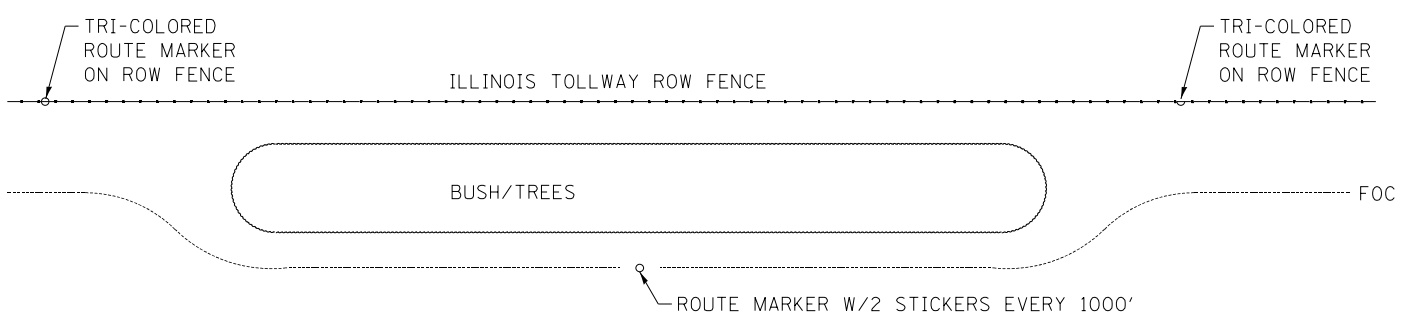
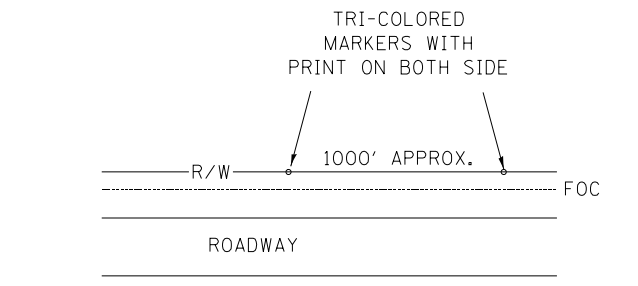


FIG. 7



TYPICAL MARKER PLACEMENT  
TO BE PLACED NEXT TO R.O.W. FENCE LINE  
FIG. 8

GENERAL NOTES:

1. MAINTAIN A MINIMUM DISTANCE OF 5' FROM ANY UTILITY POLE OR PEDESTAL SIGN, MARKER POLE, OR ANY OTHER STRUCTURE.
2. WARNING MARKERS SHALL BE PLACED AT 1000' INTERVALS AND AT CHANGES IN CABLE LOCATION/DIRECTION OR TO MARK THE LOCATION OF HANDHOLES OR AT CROSSING POINT OF OTHER UNDERGROUND FACILITIES. THE CONTRACTOR SHALL ADJUST EXCAVATION AS NECESSARY TO AVOID HIDDEN OBSTACLES AND TO MAINTAIN MAXIMUM DISTANCE FROM THE EDGE OF PAVEMENT. ALL DEVIATIONS SHALL BE APPROVED BY THE ENGINEER.



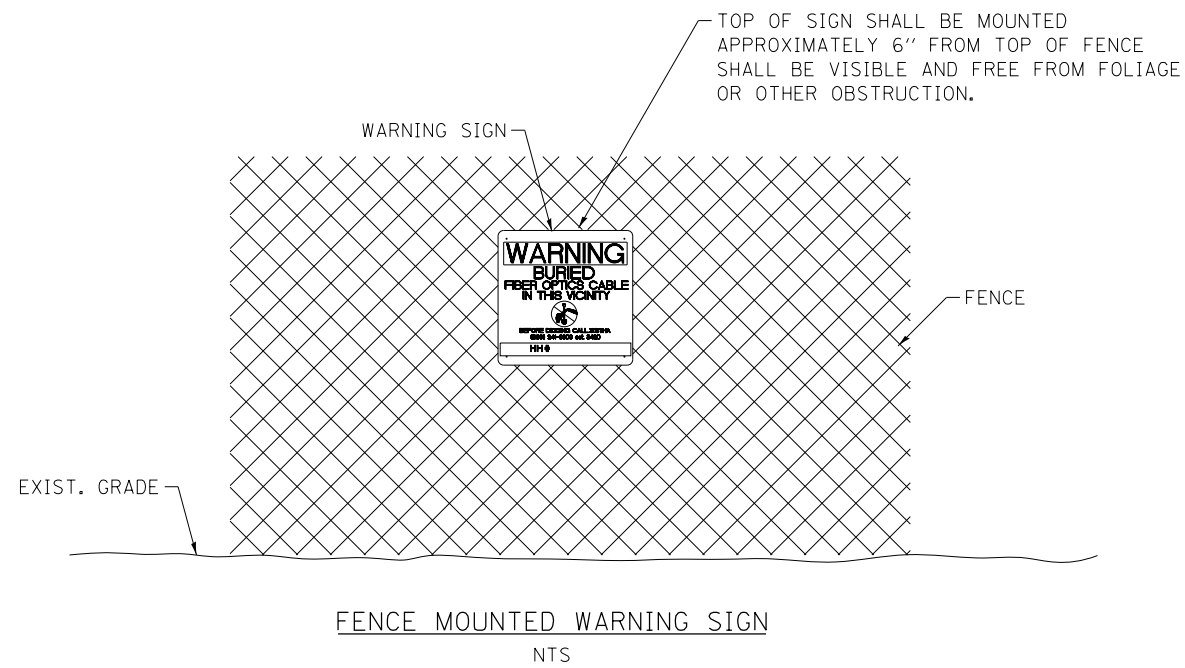
DATE	REVISIONS

FIBER OPTIC SYSTEM  
TYPICALS AND DRAWINGS

STANDARD L1-00

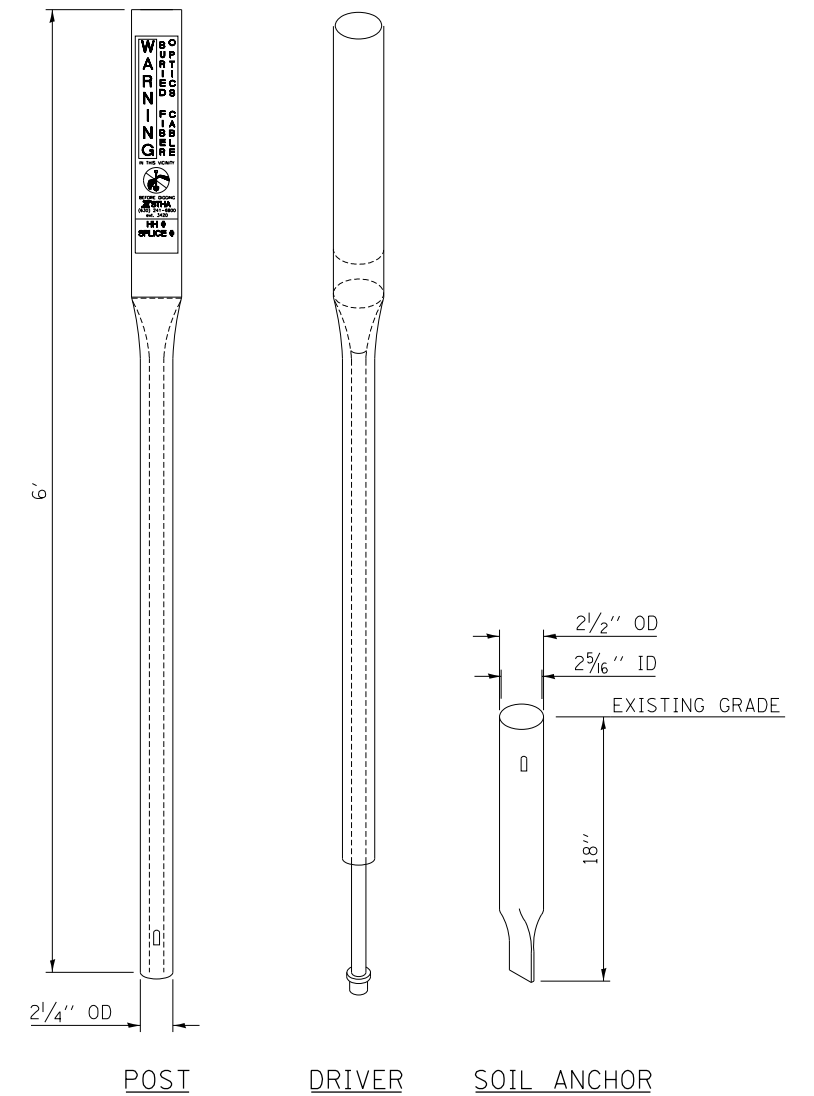
APPROVED *Paul Kovacs* CHIEF ENGINEER DATE 3-31-2017

ROUTE MARKER INSTALLATION PROCEDURE



INSTALLATION OF WARNING POST:

1. INSTALL WARNING POST ACCORDING TO MANUFACTURERS INSTRUCTIONS AND RECOMMENDATIONS.
2. PLACEMENT OF POST SHALL NOT INTERFERE WITH THE REMOVAL OF HANDHOLE LIDS
3. WARNING SIGN SHALL BE ATTACHED TO ROW FENCE WHEREVER POSSIBLE. UV STABILIZED BLACK NYLON CABLE TIES (14" LENGTH, 0.30" WIDTH, 120 LBS TENSILE STRENGTH), (4 EA.) 3 WRAPS EACH TIE, SHALL BE USED TO ATTACH WARNING SIGN TO FENCE.
4. SEE SHEET 14 OF THIS SERIES FOR FIBER WARNING LABEL AND WARNING SIGN DETAILS.



DATE	REVISIONS

FIBER OPTIC SYSTEM  
TYPICALS AND DRAWINGS

STANDARD L1-00

APPROVED *Paul Kovacs* CHIEF ENGINEER DATE 3-31-2017

FIBER WARNING LABEL & WARNING SIGN DETAILS



FENCE SIGN

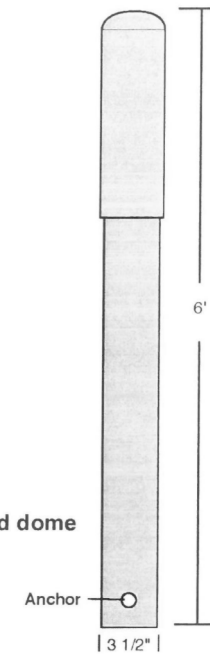
Part #: SA-ISTHA  
 Size: 12" T X 9" W  
 Material: Polyethylene  
 Color: Black text with Orange bkgd, with white  
 Holes: 4 - 3/16"



Products provided by:



Part #: PP6-ISTHA  
 Size: 6'  
 Material: Polydome  
 Color: Orange Post and dome



ROUTE MARKER POST

ROUTE MARKER POST DECAL



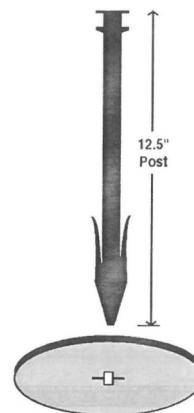
Part #: PTP466000-ISTHA - 4" X 6,000', 6MIL Orange with black text

WARNING TAPE



FLUSH DISC MARKER

Part #: FMM-6-ISTHA  
 Size: 6"  
 Material: Clear .125 Lexan  
 Color: Black text with Orange bkgd  
 Holes: center for 12.5 plastic anchor



Part #: D-314-ISTHA  
 Size: 14" x 3"  
 Material: Decal  
 Color: Orange with black text, Black "Warning" panel with white text, White no dig  
 Scale: Shown @ 50%

NOTE:  
 SIGN AND LABEL SHOWN IS AVAILABLE THROUGH ACP INTERNATIONAL.  
 ALTERNATE SIGN LABELS SHALL BE SUBMITTED FOR APPROVAL BY THE ENGINEER.



DATE	REVISIONS

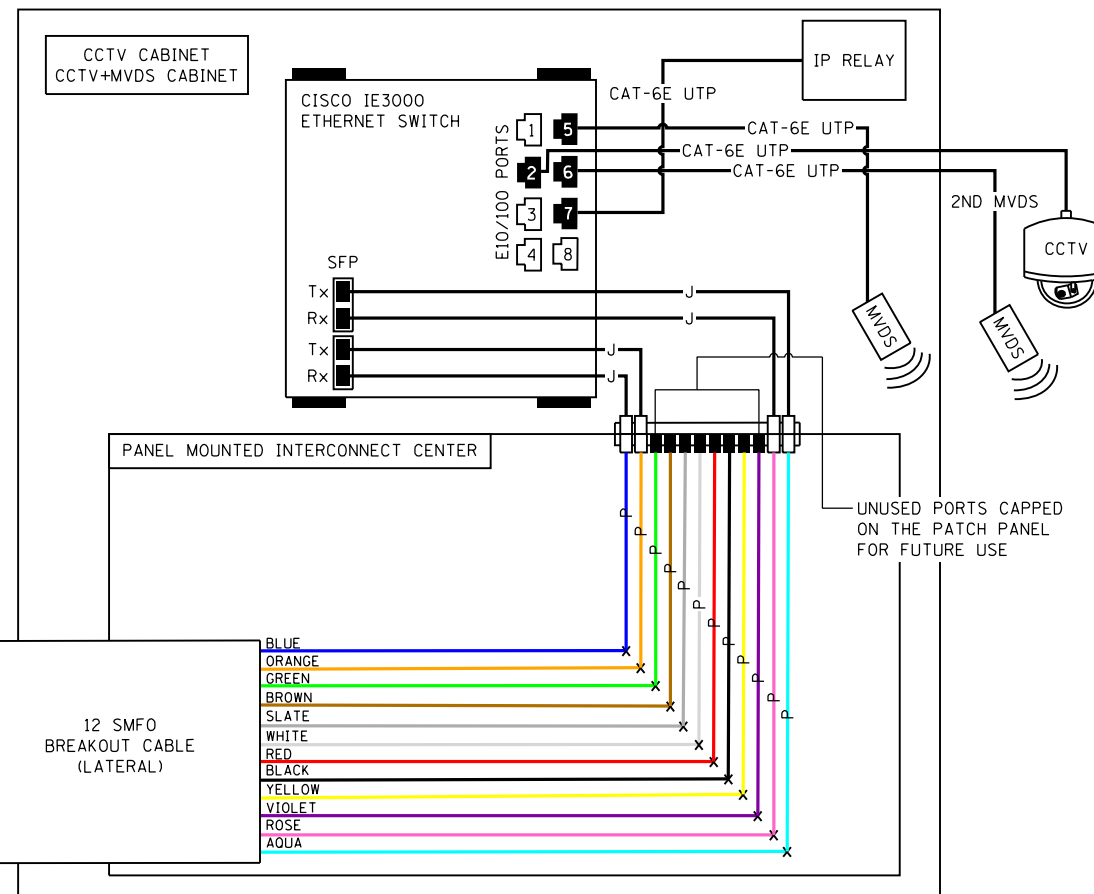
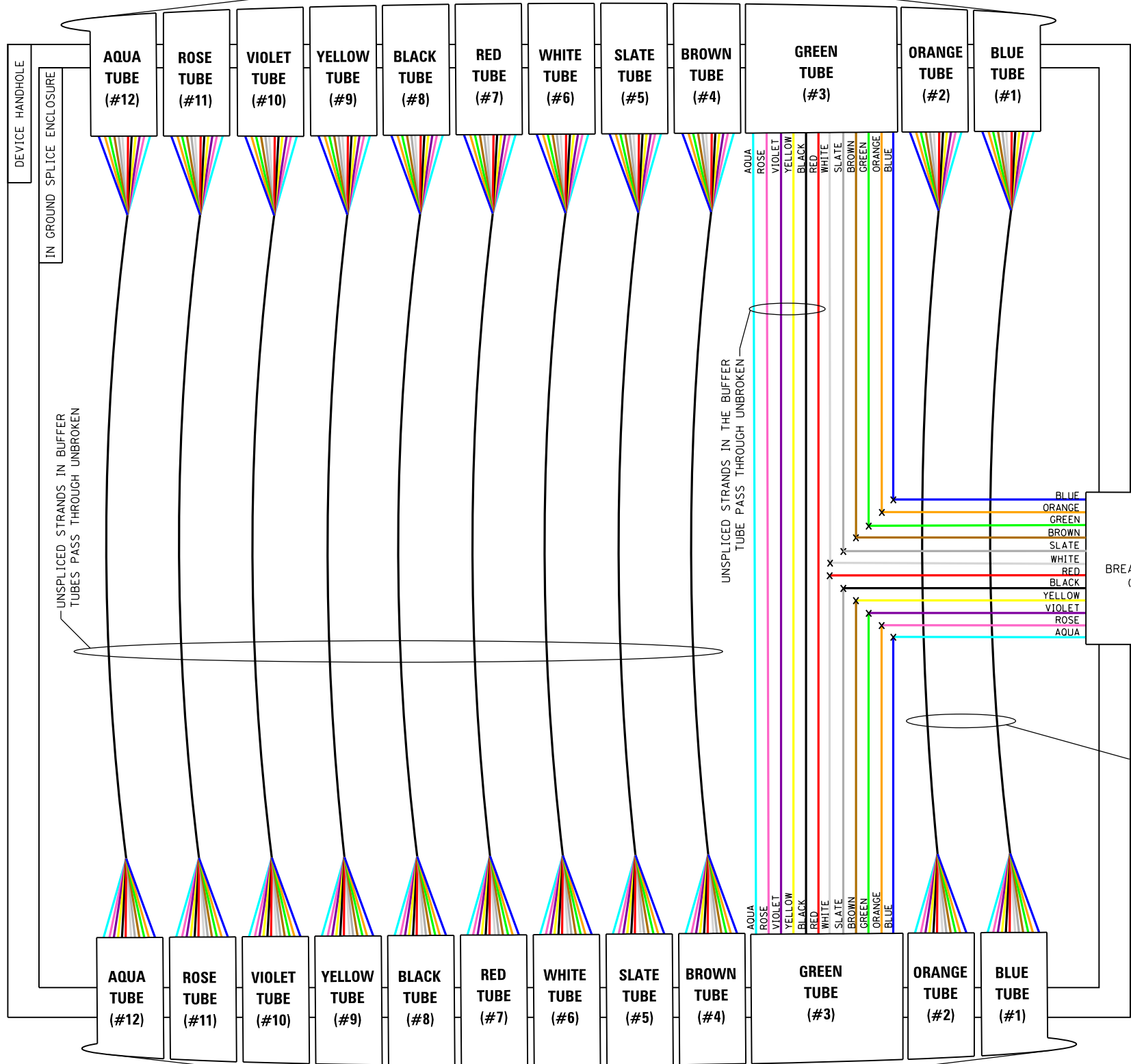
FIBER OPTIC SYSTEM  
 TYPICALS AND DRAWINGS

STANDARD L1-00

APPROVED *Paul Kovacs* CHIEF ENGINEER DATE 3-31-2017

144 SMFO ITS COMMUNICATIONS CABLE  
TO NEXT UPSTREAM ITS DEVICE CABINET

CCTV & CO-LOCATED DEVICE CABINET  
SPLICING DETAILS



ITS DEVICE GROUP FIBER ASSIGNMENTS (144 SMFO ITS COMMUNICATIONS CABLE)

BUFFER TUBE #1 (BLUE)	- PRIMARY INFRASTRUCTURE SUBGROUP
BUFFER TUBE #2 (ORANGE)	- SECONDARY INFRASTRUCTURE SUBGROUP
BUFFER TUBE #3 (GREEN)	- CCTV & CO-LOCATED ITS DEVICES SUBGROUP (LOCAL FIELD DEVICES)
BUFFER TUBE #4 (BROWN)	- DMS (TYPE 1 & TYPE 2) SUBGROUP (LOCAL FIELD DEVICES)
BUFFER TUBE #5 (SLATE)	- MVDS SUBGROUP (LOCAL FIELD DEVICES)
BUFFER TUBE #6 (WHITE)	- RWIS & WIM SUBGROUP (LOCAL FIELD DEVICES)

**LEGEND**

- FIBER OPTIC JUMPER, SINGLE MODE
- FIBER OPTIC PIGTAIL, SINGLE MODE
- BARE FIBER LEFT COILED IN SPLICE TRAY
- FIBER OPTIC FUSION SPLICE
- FIBER PATCH PANEL, SC CONNECTORS

- NOTES:**
- CONTRACTOR SHALL COORDINATE WITH THE ENGINEER AND THE ILLINOIS TOLLWAY FIBER OPTIC MANAGER FOR FINAL PORT ASSIGNMENTS DURING INSTALLATION AND INTEGRATION.
  - CONTRACTOR SHALL LABEL ALL NETWORK SWITCHES, DATA CABLES, FIBER OPTIC CABLES AND JUMPERS AS PER THE LATEST ILLINOIS TOLLWAY "ITS LABELING GUIDELINE".
  - CONTRACTOR SHALL MAKE ALL NETWORK SWITCH CONNECTIONS, UNLESS OTHERWISE NOTED.
  - THE COLOR VERSION OF THE L2 STANDARD DRAWINGS ARE AVAILABLE ON THE ILLINOIS TOLLWAY WEBSITE.



DATE	REVISIONS

FIBER OPTIC  
SPLICING DETAILS

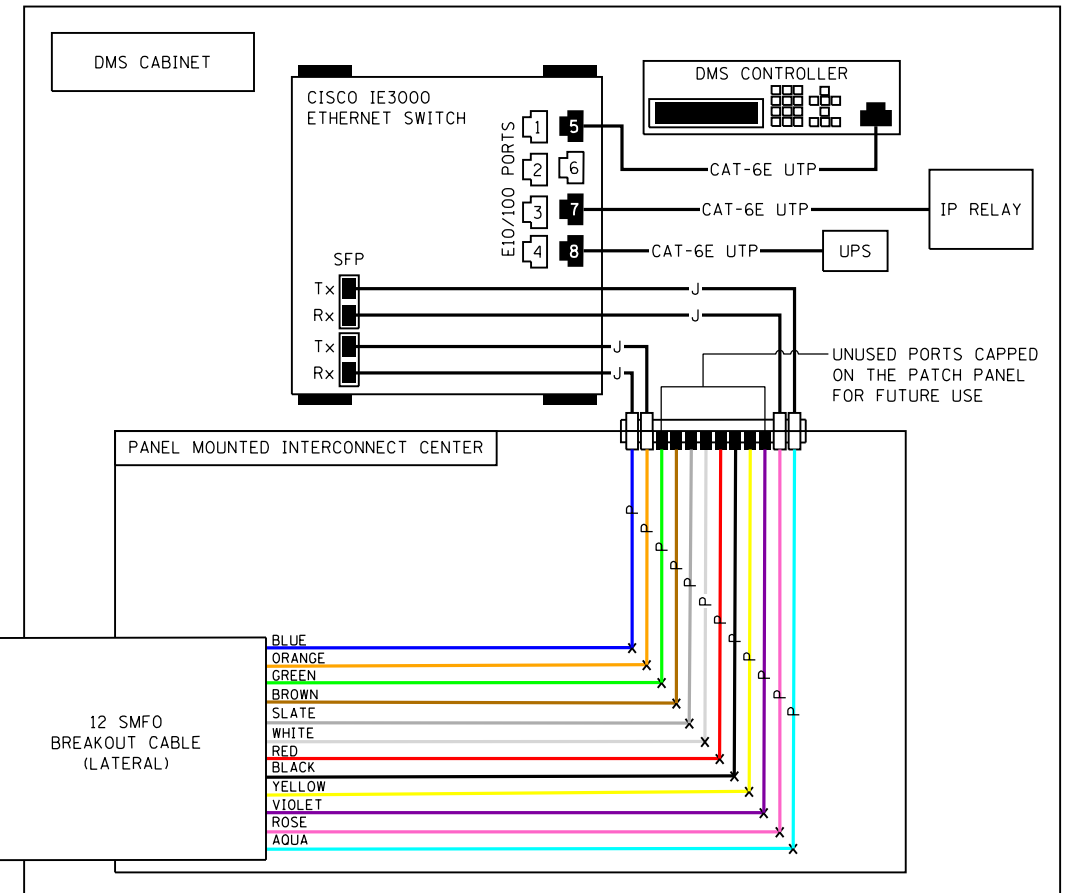
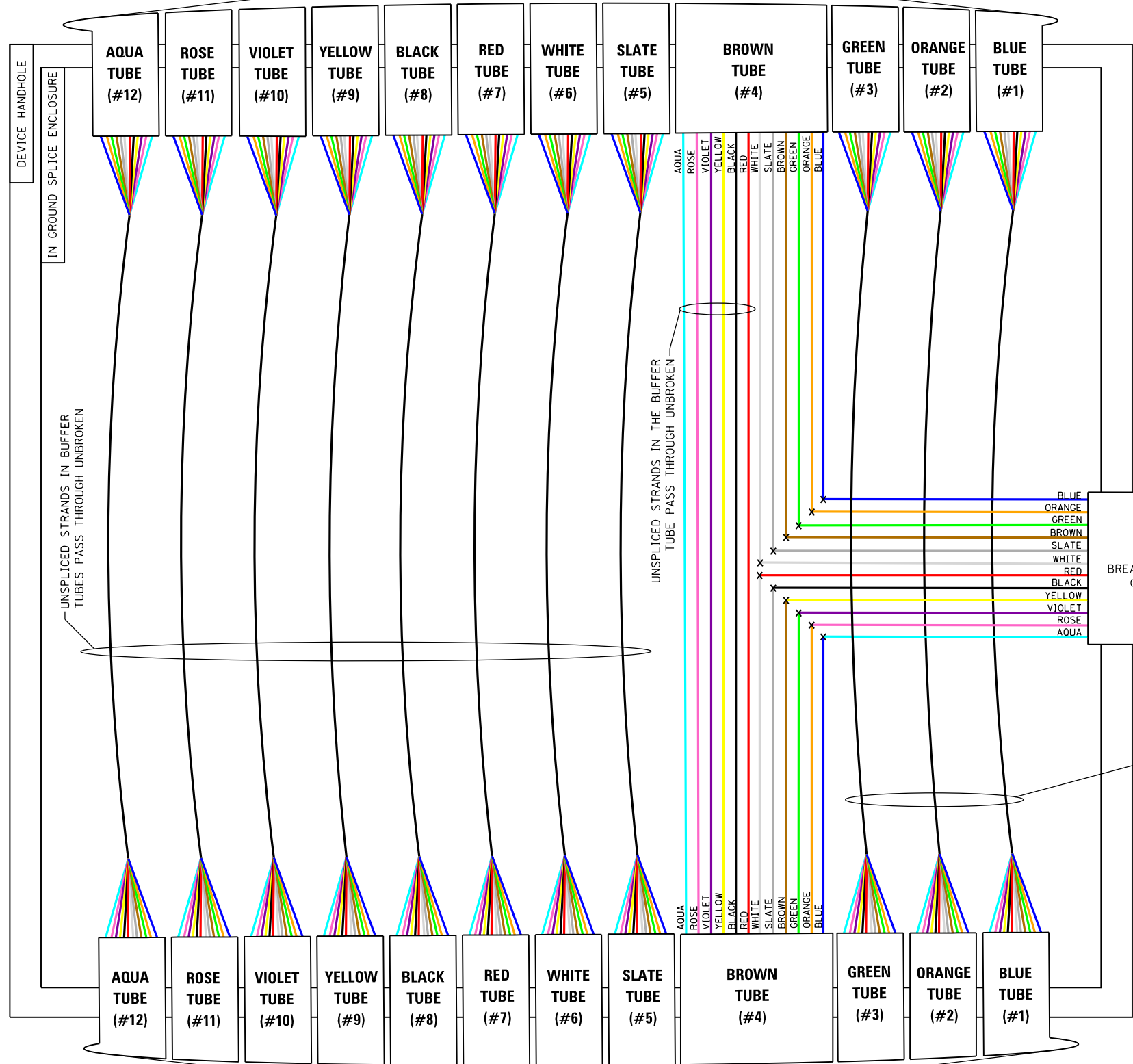
STANDARD L2-00

*Paul Kovacs*  
APPROVED CHIEF ENGINEER DATE 3-31-2017

144 SMFO ITS COMMUNICATIONS CABLE  
TO NEXT DOWNSTREAM ITS DEVICE CABINET

144 SMFO ITS COMMUNICATIONS CABLE  
TO NEXT UPSTREAM ITS DEVICE CABINET

DMS CABINET SPLICING DETAILS



ITS DEVICE GROUP FIBER ASSIGNMENTS (144 SMFO ITS COMMUNICATIONS CABLE)

BUFFER TUBE #1 (BLUE)	- PRIMARY INFRASTRUCTURE SUBGROUP
BUFFER TUBE #2 (ORANGE)	- SECONDARY INFRASTRUCTURE SUBGROUP
BUFFER TUBE #3 (GREEN)	- CCTV & CO-LOCATED ITS DEVICES SUBGROUP (LOCAL FIELD DEVICES)
BUFFER TUBE #4 (BROWN)	- DMS (TYPE 1 & TYPE 2) SUBGROUP (LOCAL FIELD DEVICES)
BUFFER TUBE #5 (SLATE)	- MVDS SUBGROUP (LOCAL FIELD DEVICES)
BUFFER TUBE #6 (WHITE)	- RWIS & WIM SUBGROUP (LOCAL FIELD DEVICES)

**LEGEND**

- FIBER OPTIC JUMPER, SINGLE MODE
- FIBER OPTIC PIGTAIL, SINGLE MODE
- BARE FIBER LEFT COILED IN SPLICE TRAY
- FIBER OPTIC FUSION SPLICE
- FIBER PATCH PANEL, SC CONNECTORS

NOTE:  
SEE SHEET 1 OF 7 FOR NOTES.

APPROVED: *Paul Kovacs*  
CHIEF ENGINEER DATE 3-31-2017

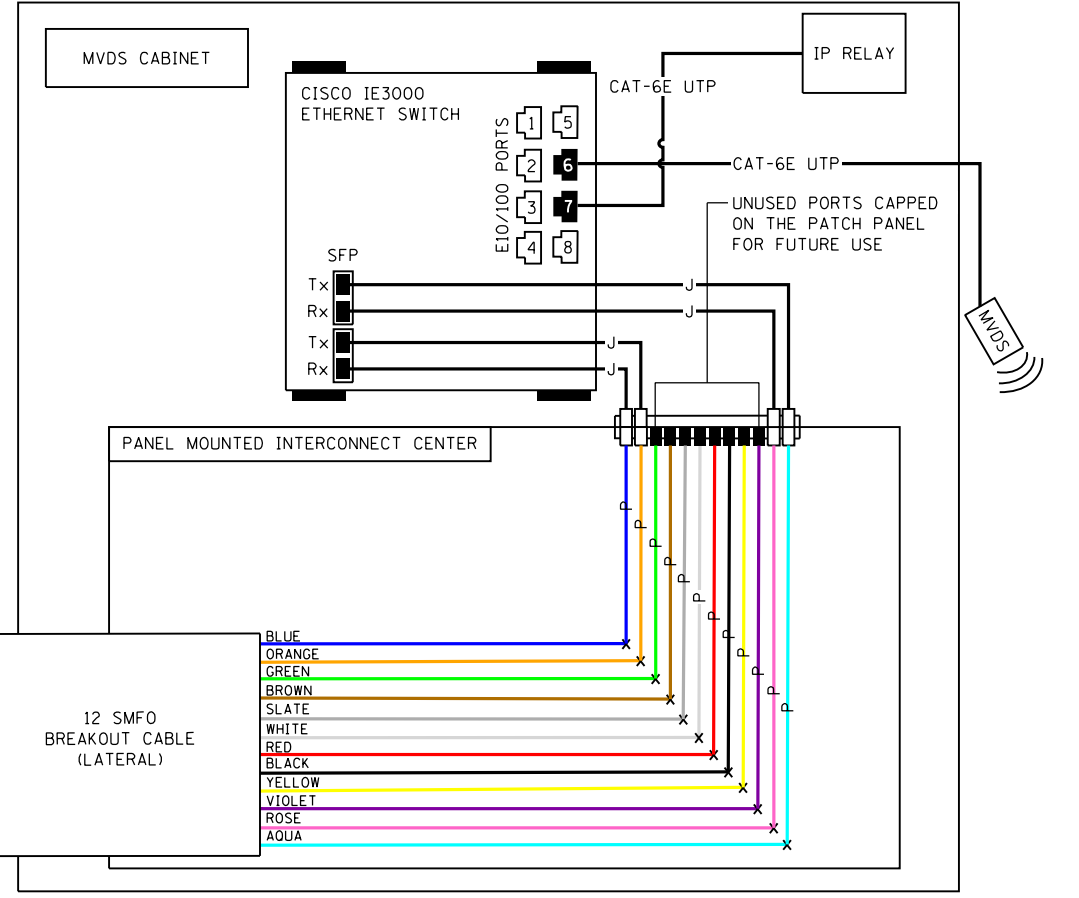
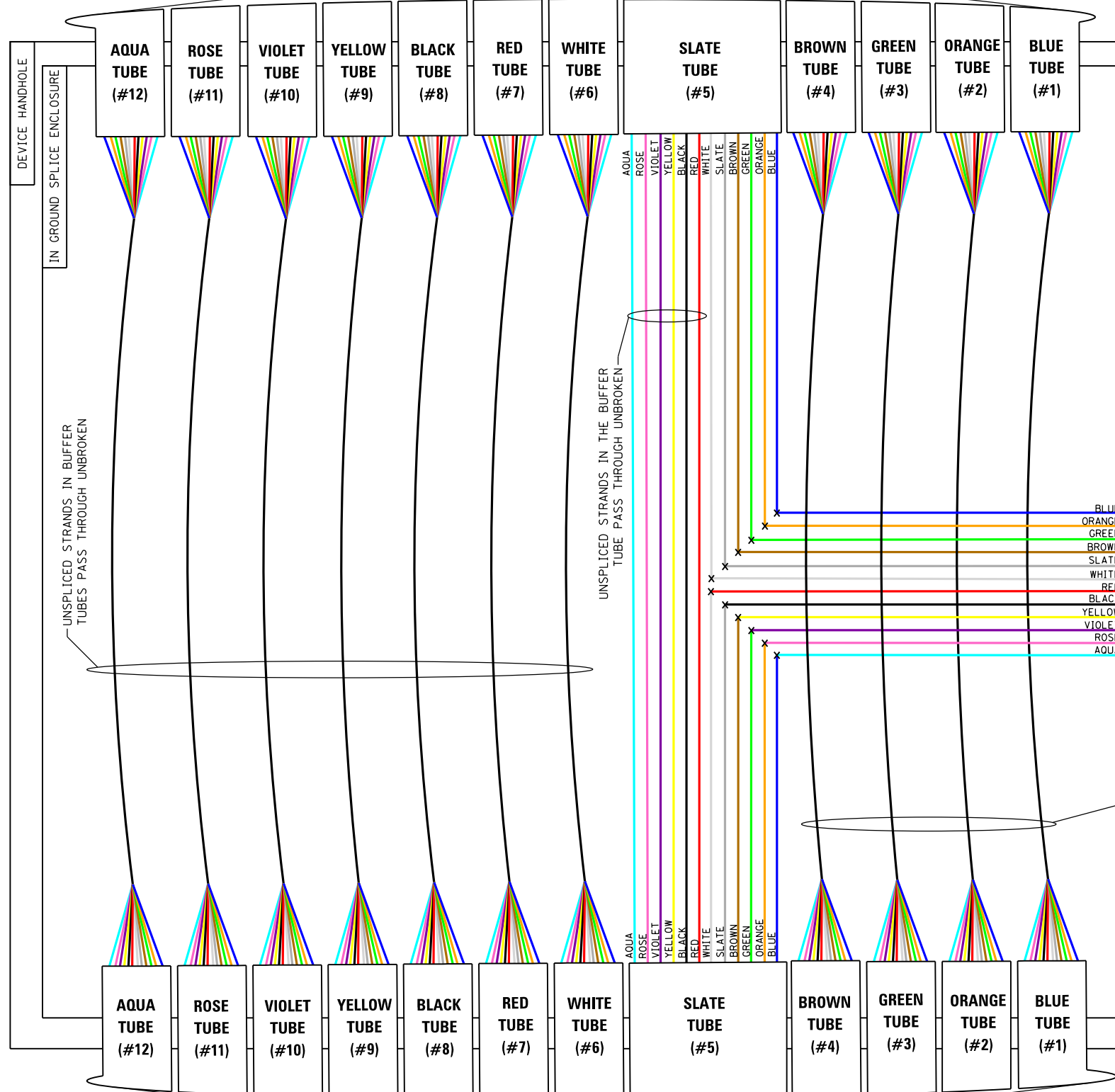
144 SMFO ITS COMMUNICATIONS CABLE  
TO NEXT DOWNSTREAM ITS DEVICE CABINET





144 SMFO ITS COMMUNICATIONS CABLE  
TO NEXT UPSTREAM ITS DEVICE CABINET

MVDS CABINET SPLICING DETAILS



ITS DEVICE GROUP FIBER ASSIGNMENTS (144 SMFO ITS COMMUNICATIONS CABLE)

BUFFER TUBE #1 (BLUE)	- PRIMARY INFRASTRUCTURE SUBGROUP
BUFFER TUBE #2 (ORANGE)	- SECONDARY INFRASTRUCTURE SUBGROUP
BUFFER TUBE #3 (GREEN)	- CCTV & CO-LOCATED ITS DEVICES SUBGROUP (LOCAL FIELD DEVICES)
BUFFER TUBE #4 (BROWN)	- DMS (TYPE 1 & TYPE 2) SUBGROUP (LOCAL FIELD DEVICES)
BUFFER TUBE #5 (SLATE)	- MVDS SUBGROUP (LOCAL FIELD DEVICES)
BUFFER TUBE #6 (WHITE)	- RWIS & WIM SUBGROUP (LOCAL FIELD DEVICES)

**LEGEND**

- FIBER OPTIC JUMPER, SINGLE MODE
- FIBER OPTIC PIGTAIL, SINGLE MODE
- BARE FIBER LEFT COILED IN SPLICE TRAY
- FIBER OPTIC FUSION SPLICE
- FIBER PATCH PANEL, SC CONNECTORS

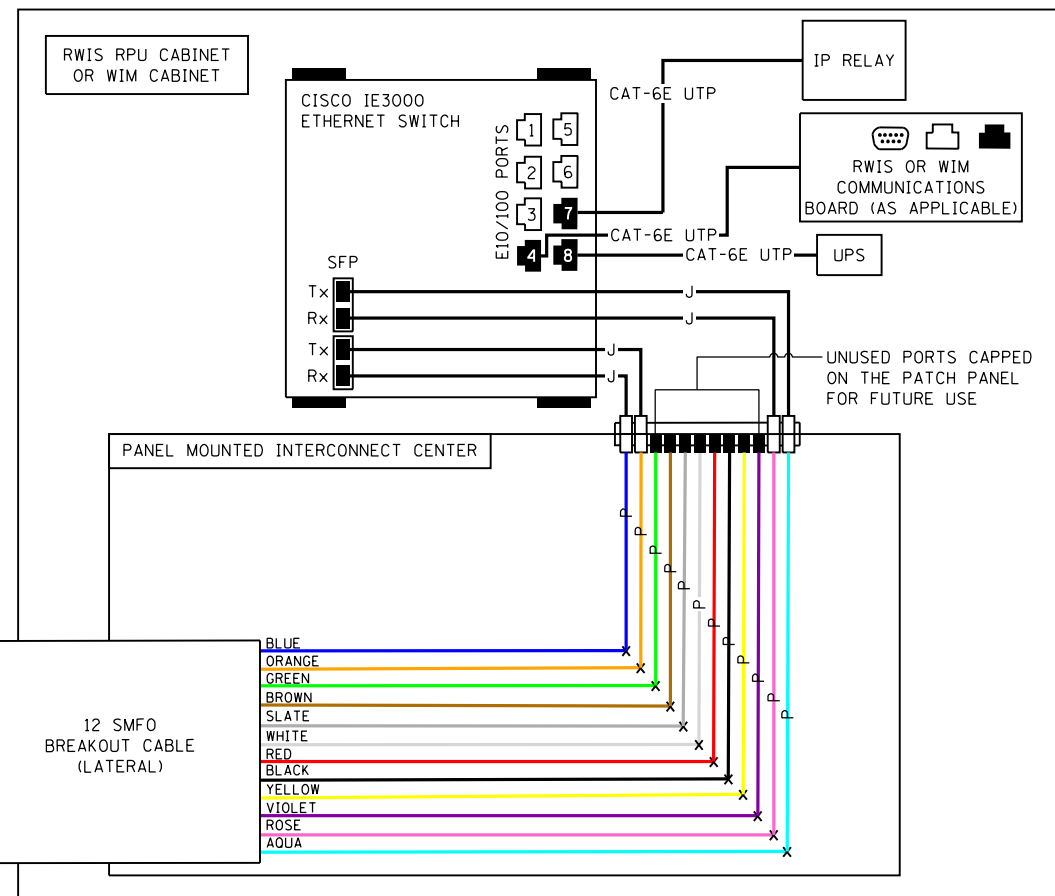
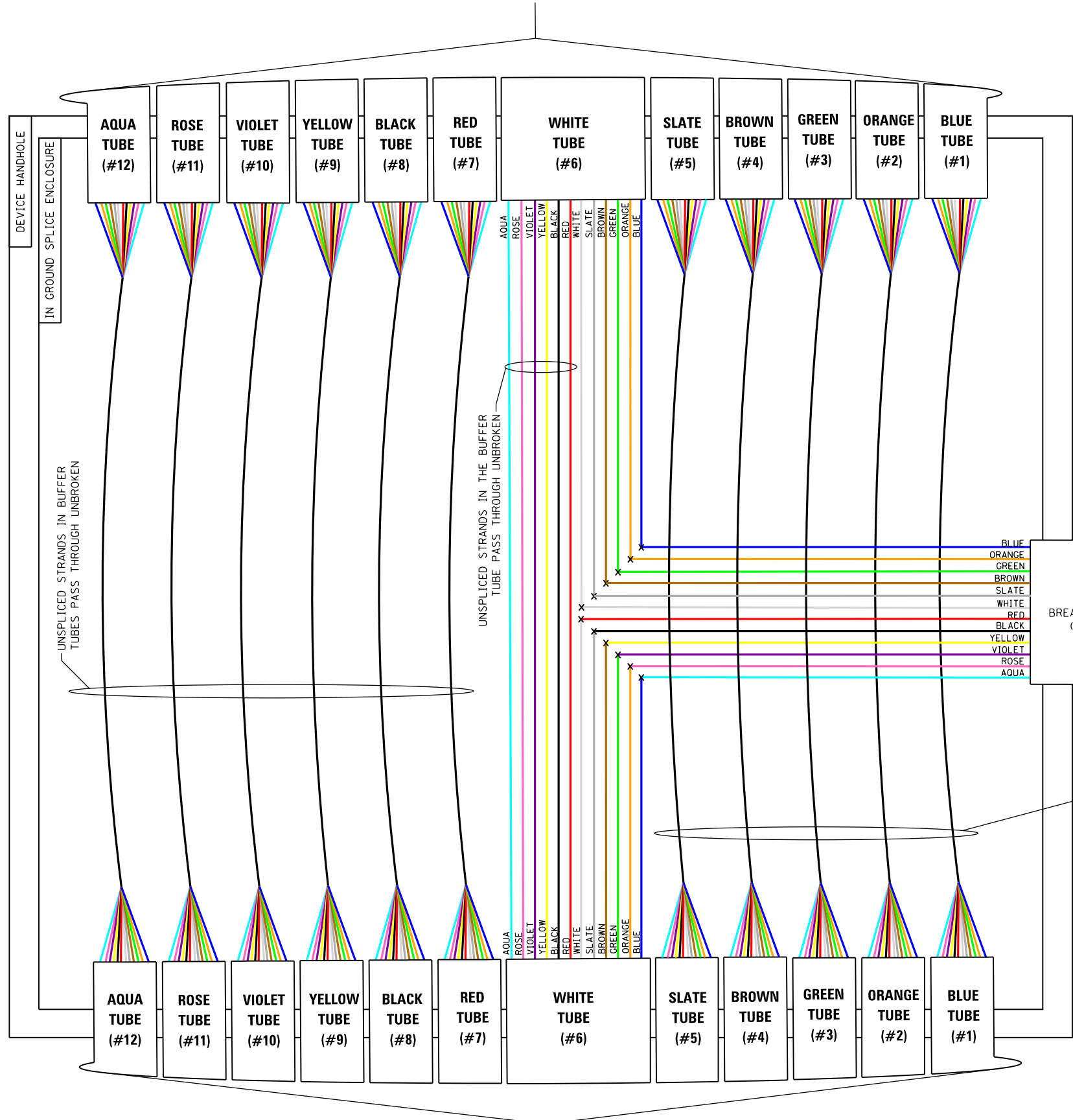
NOTE:  
SEE SHEET 1 OF 7 FOR NOTES.

*Paul Kovacs*  
APPROVED CHIEF ENGINEER DATE 3-31-2017

144 SMFO ITS COMMUNICATIONS CABLE  
TO NEXT DOWNSTREAM ITS DEVICE CABINET

144 SMFO ITS COMMUNICATIONS CABLE  
TO NEXT UPSTREAM ITS DEVICE CABINET

RWIS / WIM CABINET SPLICING DETAILS



ITS DEVICE GROUP FIBER ASSIGNMENTS (144 SMFO ITS COMMUNICATIONS CABLE)

BUFFER TUBE #1 (BLUE)	- PRIMARY INFRASTRUCTURE SUBGROUP
BUFFER TUBE #2 (ORANGE)	- SECONDARY INFRASTRUCTURE SUBGROUP
BUFFER TUBE #3 (GREEN)	- CCTV & CO-LOCATED ITS DEVICES SUBGROUP (LOCAL FIELD DEVICES)
BUFFER TUBE #4 (BROWN)	- DMS (TYPE 1 & TYPE 2) SUBGROUP (LOCAL FIELD DEVICES)
BUFFER TUBE #5 (SLATE)	- MVDS SUBGROUP (LOCAL FIELD DEVICES)
BUFFER TUBE #6 (WHITE)	- RWIS & WIM SUBGROUP (LOCAL FIELD DEVICES)

**LEGEND**

- FIBER OPTIC JUMPER, SINGLE MODE
- FIBER OPTIC PIGTAIL, SINGLE MODE
- BARE FIBER LEFT COILED IN SPLICE TRAY
- FIBER OPTIC FUSION SPLICE
- FIBER PATCH PANEL, SC CONNECTORS

NOTE:  
SEE SHEET 1 OF 7 FOR NOTES.

APPROVED *Paul Kovacs* CHIEF ENGINEER DATE 3-31-2017

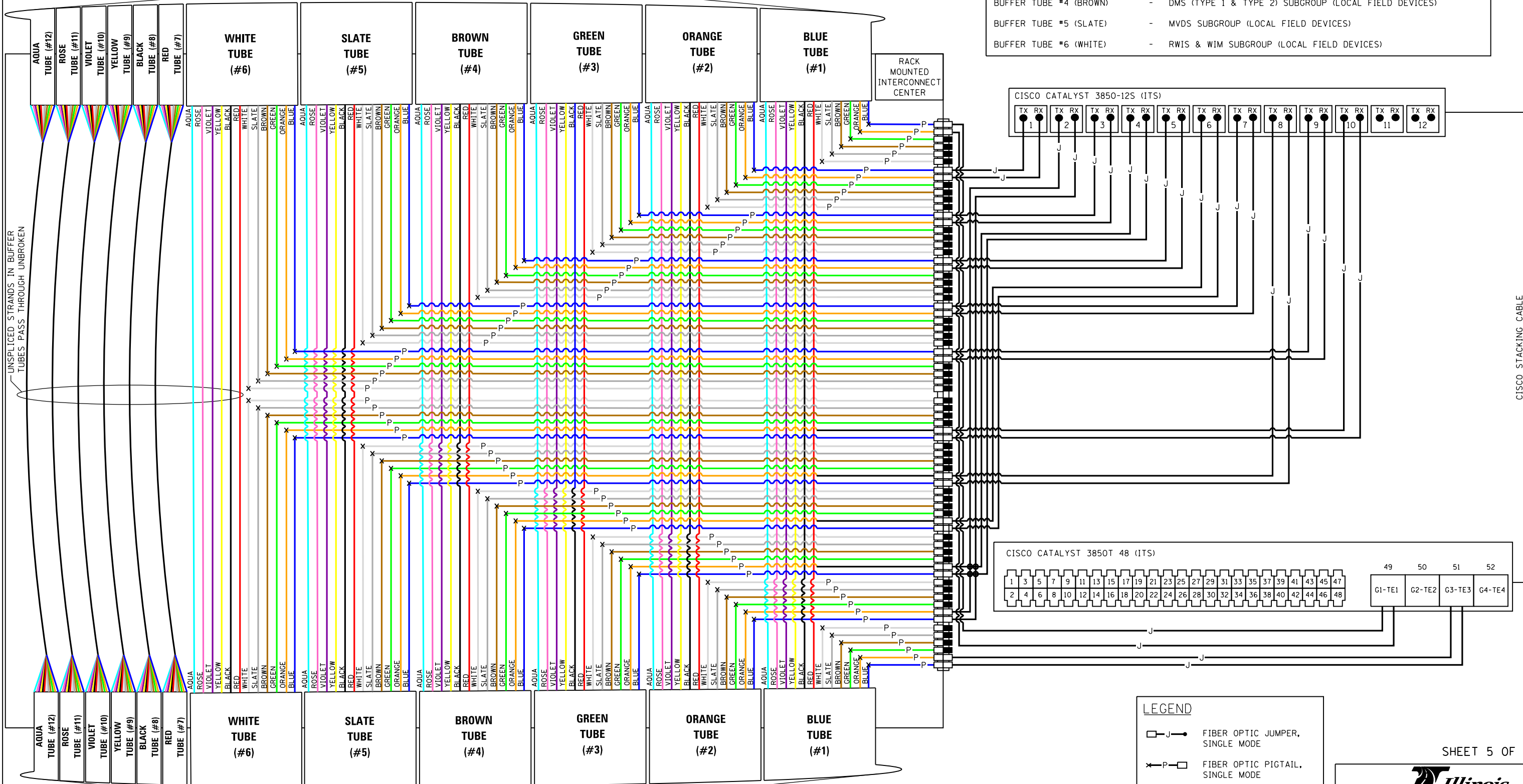
144 SMFO ITS COMMUNICATIONS CABLE  
TO NEXT DOWNSTREAM ITS DEVICE CABINET

144 SMFO ITS COMMUNICATIONS  
CABLE TO NEXT UPSTREAM DEVICE

IPDC/PLAZA/OASIS/MAINTENANCE BUILDING  
NETWORK SWITCH CONNECTION DETAILS - ITS

ITS DEVICE GROUP FIBER ASSIGNMENTS (144 SMFO ITS COMMUNICATIONS CABLE)

BUFFER TUBE #1 (BLUE)	- PRIMARY INFRASTRUCTURE SUBGROUP
BUFFER TUBE #2 (ORANGE)	- SECONDARY INFRASTRUCTURE SUBGROUP
BUFFER TUBE #3 (GREEN)	- CCTV & CO-LOCATED ITS DEVICES SUBGROUP (LOCAL FIELD DEVICES)
BUFFER TUBE #4 (BROWN)	- DMS (TYPE 1 & TYPE 2) SUBGROUP (LOCAL FIELD DEVICES)
BUFFER TUBE #5 (SLATE)	- MVDS SUBGROUP (LOCAL FIELD DEVICES)
BUFFER TUBE #6 (WHITE)	- RWIS & WIM SUBGROUP (LOCAL FIELD DEVICES)



144 SMFO ITS COMMUNICATIONS  
CABLE TO NEXT DOWNSTREAM DEVICE

APPROVED: *Paul Kovacs*  
CHIEF ENGINEER DATE 3-31-2017

**LEGEND**

- FIBER OPTIC JUMPER, SINGLE MODE
- FIBER OPTIC PIGTAIL, SINGLE MODE
- BARE FIBER LEFT COILED IN SPLICE TRAY
- FIBER OPTIC FUSION SPLICE
- FIBER PATCH PANEL, SC CONNECTORS

NOTE:  
SEE SHEET 1 OF 7 FOR NOTES.

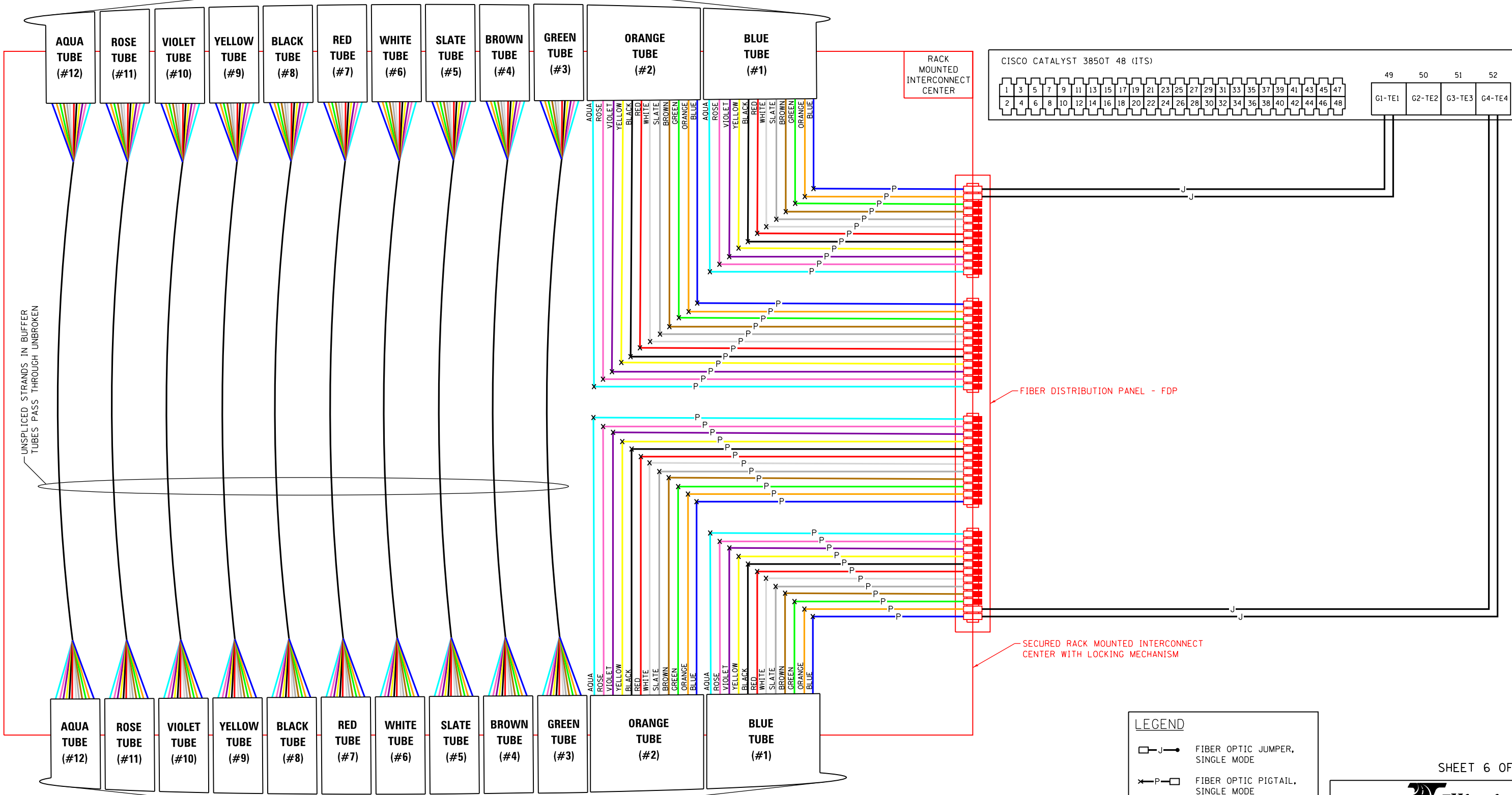
SHEET 5 OF 7

FIBER OPTIC  
SPLICING DETAILS

STANDARD L2-00

144 SMFO TOLLWAY BACKBONE  
CABLE TO NEXT TOLL PLAZA

AET GROUP FIBER ASSIGNMENTS (144 SMFO TOLLWAY BACKBONE CABLE)  
BUFFER TUBE #1 (BLUE) - PRIMARY INFRASTRUCTURE SUBGROUP



UNSPliced STRANDS IN BUFFER  
TUBES PASS THROUGH UNBROKEN

RACK  
MOUNTED  
INTERCONNECT  
CENTER

CISCO CATALYST 3850T 48 (ITS)

1	3	5	7	9	11	13	15	17	19	21	23	25	27	29	31	33	35	37	39	41	43	45	47	49	50	51	52
2	4	6	8	10	12	14	16	18	20	22	24	26	28	30	32	34	36	38	40	42	44	46	48	G1-TE1	G2-TE2	G3-TE3	G4-TE4

FIBER DISTRIBUTION PANEL - FDP

SECURED RACK MOUNTED INTERCONNECT  
CENTER WITH LOCKING MECHANISM

**LEGEND**

- J-□ FIBER OPTIC JUMPER, SINGLE MODE
- ✕-P-□ FIBER OPTIC PIGTAIL, SINGLE MODE
- BARE FIBER LEFT COILED IN SPLICE TRAY
- ✕ FIBER OPTIC FUSION SPLICE
- FIBER PATCH PANEL, SC CONNECTORS

NOTE:  
SEE SHEET 1 OF 7 FOR NOTES.

144 SMFO TOLLWAY BACKBONE  
CABLE TO NEXT TOLL PLAZA

*Paul Kovacs*  
APPROVED CHIEF ENGINEER DATE 3-31-2017

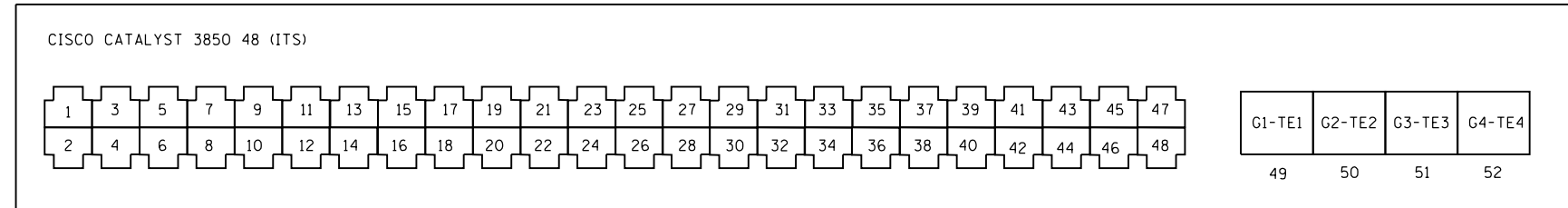
SHEET 6 OF 7

FIBER OPTIC  
SPLICING DETAILS

STANDARD L2-00

PROPOSED NETWORK SWITCH PORT ASSIGNMENT SCHEMATIC

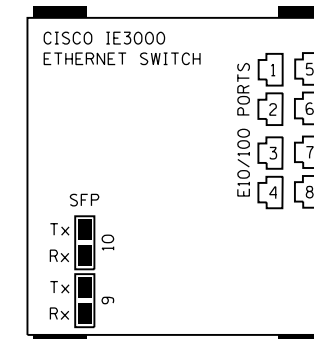
CISCO WS-3850-48T ETHERNET SWITCH  
10/100/1000 ETHERNET AND 10G SFP PORT ARRANGEMENT



- |                               |                               |                               |                               |
|-------------------------------|-------------------------------|-------------------------------|-------------------------------|
| 1. LOCALLY CONNECTED DEVICES  | 13. LOCALLY CONNECTED DEVICES | 25. LOCALLY CONNECTED DEVICES | 37. LOCALLY CONNECTED DEVICES |
| 2. LOCALLY CONNECTED DEVICES  | 14. LOCALLY CONNECTED DEVICES | 26. LOCALLY CONNECTED DEVICES | 38. LOCALLY CONNECTED DEVICES |
| 3. LOCALLY CONNECTED DEVICES  | 15. LOCALLY CONNECTED DEVICES | 27. LOCALLY CONNECTED DEVICES | 39. LOCALLY CONNECTED DEVICES |
| 4. LOCALLY CONNECTED DEVICES  | 16. LOCALLY CONNECTED DEVICES | 28. LOCALLY CONNECTED DEVICES | 40. LOCALLY CONNECTED DEVICES |
| 5. LOCALLY CONNECTED DEVICES  | 17. LOCALLY CONNECTED DEVICES | 29. LOCALLY CONNECTED DEVICES | 41. LOCALLY CONNECTED DEVICES |
| 6. LOCALLY CONNECTED DEVICES  | 18. LOCALLY CONNECTED DEVICES | 30. LOCALLY CONNECTED DEVICES | 42. LOCALLY CONNECTED DEVICES |
| 7. LOCALLY CONNECTED DEVICES  | 19. LOCALLY CONNECTED DEVICES | 31. LOCALLY CONNECTED DEVICES | 43. LOCALLY CONNECTED DEVICES |
| 8. LOCALLY CONNECTED DEVICES  | 20. LOCALLY CONNECTED DEVICES | 32. LOCALLY CONNECTED DEVICES | 44. LOCALLY CONNECTED DEVICES |
| 9. LOCALLY CONNECTED DEVICES  | 21. LOCALLY CONNECTED DEVICES | 33. LOCALLY CONNECTED DEVICES | 45. LOCALLY CONNECTED DEVICES |
| 10. LOCALLY CONNECTED DEVICES | 22. LOCALLY CONNECTED DEVICES | 34. LOCALLY CONNECTED DEVICES | 46. LOCALLY CONNECTED DEVICES |
| 11. LOCALLY CONNECTED DEVICES | 23. LOCALLY CONNECTED DEVICES | 35. LOCALLY CONNECTED DEVICES | 47. LOCALLY CONNECTED DEVICES |
| 12. LOCALLY CONNECTED DEVICES | 24. LOCALLY CONNECTED DEVICES | 36. LOCALLY CONNECTED DEVICES | 48. LOCALLY CONNECTED DEVICES |

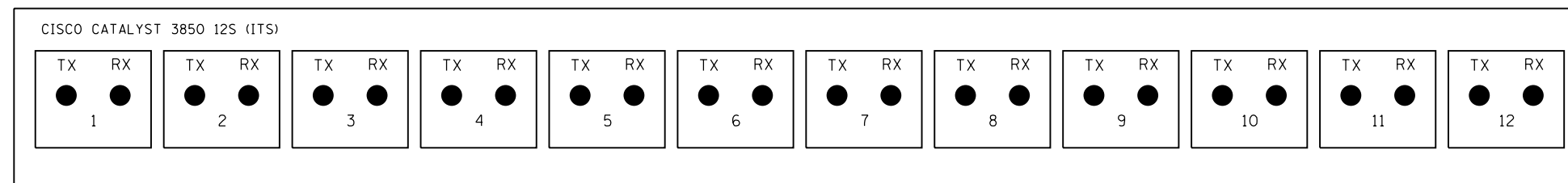
TE1 - (AET/ITS) PRIMARY LAYER 3 UPLINK  
TE3 - (AET/ITS) PRIMARY LAYER 3 DOWNLINK  
OR  
TE2 - (AE/ITS) PRIMARY LAYER 3 UPLINK  
TE4 - (AE/ITS) PRIMARY LAYER 3 DOWNLINK

CISCO IE-3000-8TC-E ETHERNET SWITCH  
10/100/1000 SFP PORT ARRANGEMENT



- LOCAL USE
- CCTV CAT-6 CONNECTION
- CCTV CAT-6 CONNECTION
- RWIS COMMUNICATION BOARD / WIM CONTROLLER
- DMS CONTROLLER
- MVDS
- IP RELAY CAT-6 CONNECTION
- UPS (POWER)
- FIELD SWITCH UPLINK
- FIELD SWITCH DOWNLINK

CISCO WS-3850-12S-E ETHERNET SWITCH  
10/100/1000 SFP PORT ARRANGEMENT



- |  |  |
|--|--|
| 1. (AET/ITS) SECONDARY LAYER 3 UPLINK                  | 7. (ITS) MVDS SUBGROUP - UPLINK        |
| 2. (AET/ITS) SECONDARY LAYER 3 DOWNLINK                | 8. (ITS) MVDS SUBGROUP - DOWNLINK      |
| 3. (ITS) CCTV & CO-LOCATED DEVICES SUBGROUP - UPLINK   | 9. (ITS) CONNECTED VEHICLE - UPLINK    |
| 4. (ITS) CCTV & CO-LOCATED DEVICES SUBGROUP - DOWNLINK | 10. (ITS) CONNECTED VEHICLE - DOWNLINK |
| 5. (ITS) DMS SUBGROUP - UPLINK                         | 11. NOT USED                           |
| 6. (ITS) DMS SUBGROUP - DOWNLINK                       | 12. NOT USED                           |



FIBER OPTIC  
SPLICING DETAILS

STANDARD L2-00

NOTES:

- SEE SHEET 1 OF 7 FOR NOTES.
- ALL NETWORK SWITCH CONNECTIONS SHOWN ON THIS SHEET SHALL BE PERFORMED BY THE TOLLWAY FIBER MAINTENANCE TEAM, IN COORDINATION WITH THE ENGINEER.

*Paul Kovacs*  
APPROVED CHIEF ENGINEER DATE 3-31-2017