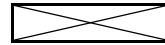


Illinois Tollway Base Sheet Revisions

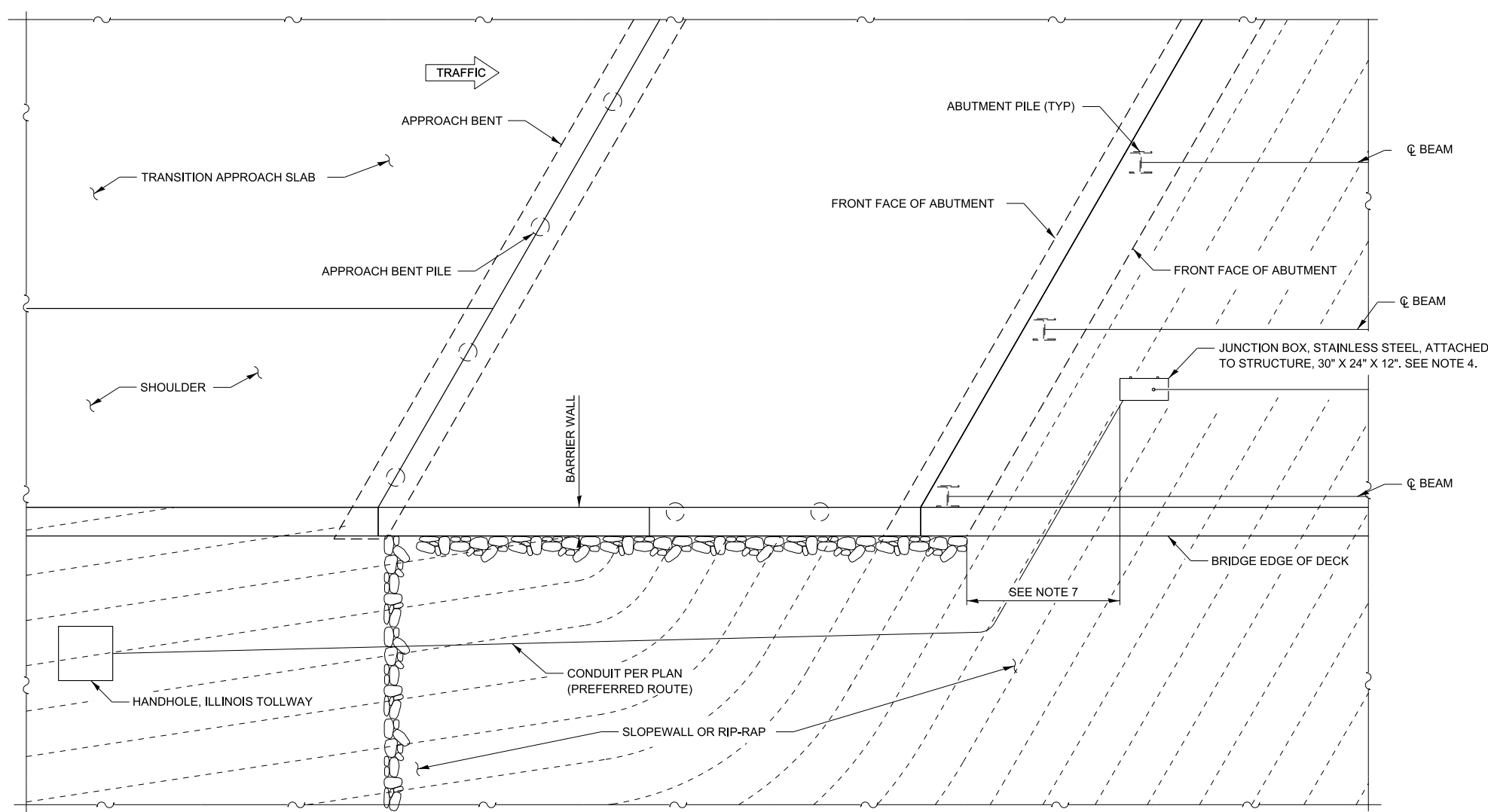
Section M	Base Sheet Drawings	
Drawing	Modification Summary	Effective: 03-01-2025
	<b>Conduit Details at Integral Abutment Bridge (ITS)-Series 1900</b>	
	<b>NO CHANGES</b>	

 New Sheet

 Retired Standard

**NOTE TO DESIGNER**

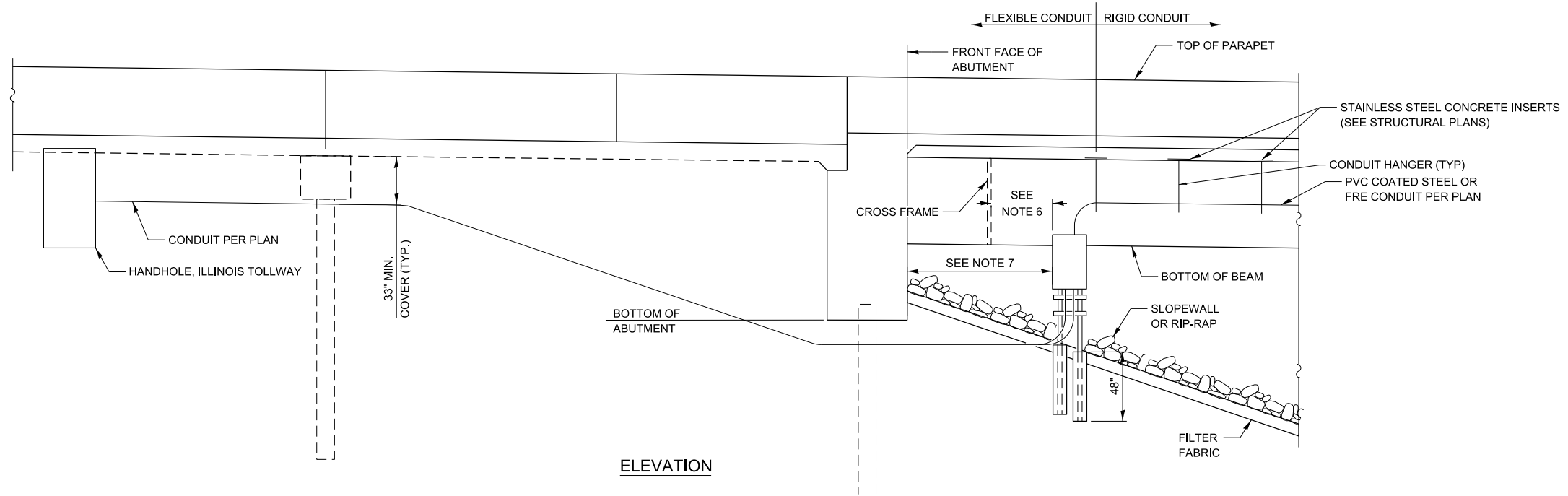
THIS BASE SHEET SHOWS TYPICAL CONSTRUCTION BUT IT IS NOT A STANDARD DRAWING. IT REQUIRES COMPLETION BY THE DESIGNER PRIOR TO INSERTION INTO A CONTRACT. MICROSTATION FILES AND THE "CADD STANDARDS MANUAL" ARE AVAILABLE ON THE ILLINOIS TOLLWAY WEBSITE. THE DESIGNER SHALL ACCEPT THE RESPONSIBILITY OF THE DESIGN OF THIS SHEET UPON ITS COMPLETION AND INSERTION INTO A CONTRACT. ALL "NOTE TO DESIGNER" BOXES SHALL BE REMOVED BY THE DESIGNER PRIOR TO INSERTION OF THE SHEET INTO THE PLAN SET.



**PLAN**

**NOTES:**

1. THE CONTRACTOR SHALL FURNISH & INSTALL A PULL TAPE THROUGH ALL CONDUITS INSTALLED AS PART OF THIS WORK.
2. ALL HARDWARE SHALL BE STAINLESS STEEL IN ACCORDANCE WITH ARTICLE 1006.31 OF THE STANDARD SPECIFICATIONS.
3. CONDUIT SHALL BE SUPPORTED AT A MAXIMUM INTERVAL OF 5' AND WITHIN 2.5' OF ANY JUNCTION BOX, COUPLING/FITTING, OR CHANGE IN DIRECTION.
4. THE JUNCTION BOX SHALL MEET THE REQUIREMENTS OF ARTICLE 1088.04 OF THE STANDARD SPECIFICATIONS. A HINGED DOOR AND PROVISIONS FOR 3-POINT LOCK OR A PADLOCK ARE REQUIRED.
5. FLEXIBLE CONDUIT SHALL BE LIMITED TO A MAXIMUM LENGTH OF 5'.
6. JUNCTION BOX SHALL BE LOCATED AT LEAST 24" FROM CROSS FRAMES.
7. PROVIDE DIMENSION FROM ABUTMENT.



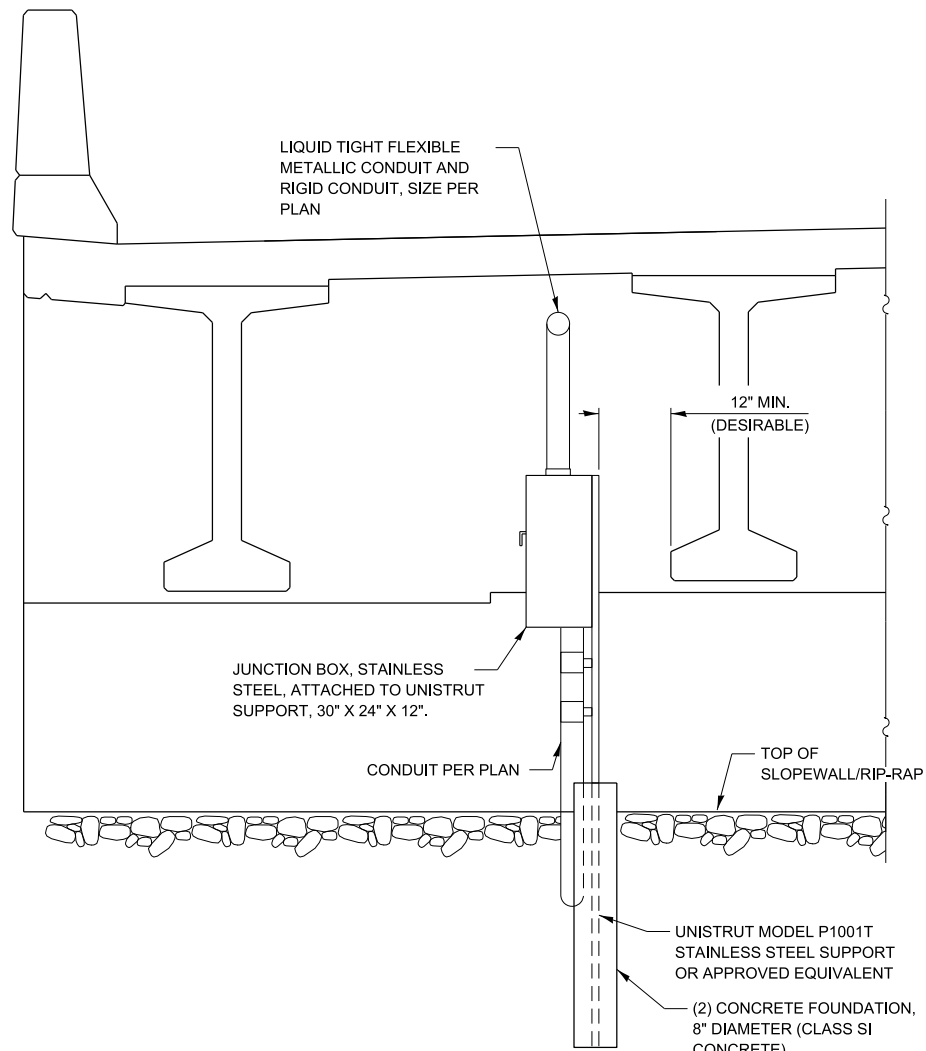
**ELEVATION**



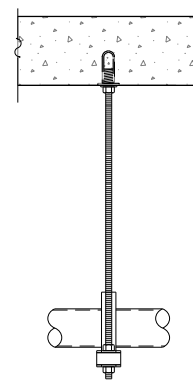
**ILLINOIS  
TOLLWAY**

**CONDUIT DETAILS AT  
INTEGRAL ABUTMENT BRIDGE  
STANDARD SLOPE WALL**

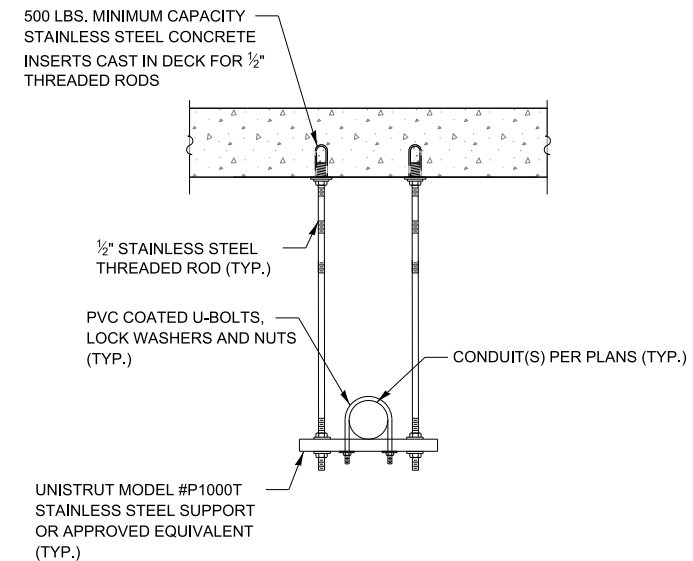
VERSION: 2016-03	BASE SHEET: M-ITS-1900	SHEET: 1 OF 4
---------------------	---------------------------	------------------



VIEW AT ABUTMENT - GROUND MOUNTED JUNCTION BOX



SIDE VIEW

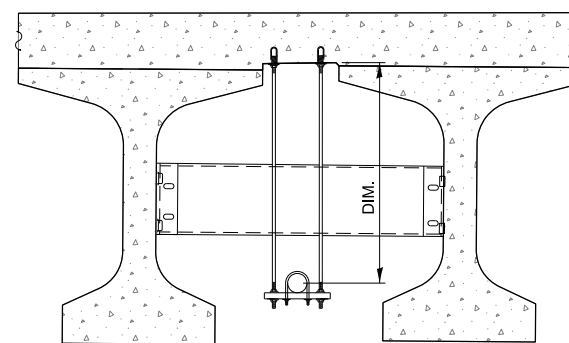


SECTION VIEW

CONDUIT HANGER ASSEMBLY DETAIL

NOTES:

1. CONDUIT SHALL BE SUPPORTED AT A MAXIMUM INTERVAL OF 5' AND WITHIN 2.5' OF ANY JUNCTION BOX, COUPLING/FITTING, OR CHANGE IN DIRECTION.
2. ALL HARDWARE SHALL BE STAINLESS STEEL IN ACCORDANCE WITH ARTICLE 1006.31 OF THE STANDARD SPECIFICATIONS.
3. THE ELECTRICAL CONTRACTOR SHALL COORDINATE THE LOCATION OF THE CONCRETE INSERTS WITH THE BRIDGE CONTRACTOR.
4. THE COST OF THE CONCRETE INSERTS SHALL BE INCLUDED IN THE COST OF CONDUIT ATTACHED TO STRUCTURE.
5. CONDUIT SHALL BE CENTERED BETWEEN THE BEAMS.
6. CONDUIT SHALL NOT COME INTO CONTACT WITH ANY BRACING OR OTHER STRUCTURAL MEMBERS.
7. PROVIDE 1" MINIMUM CLEARANCE TO ALL STRUCTURAL MEMBERS.



CONDUIT ROUTING AT DIAPHRAGM

**NOTE TO DESIGNER**

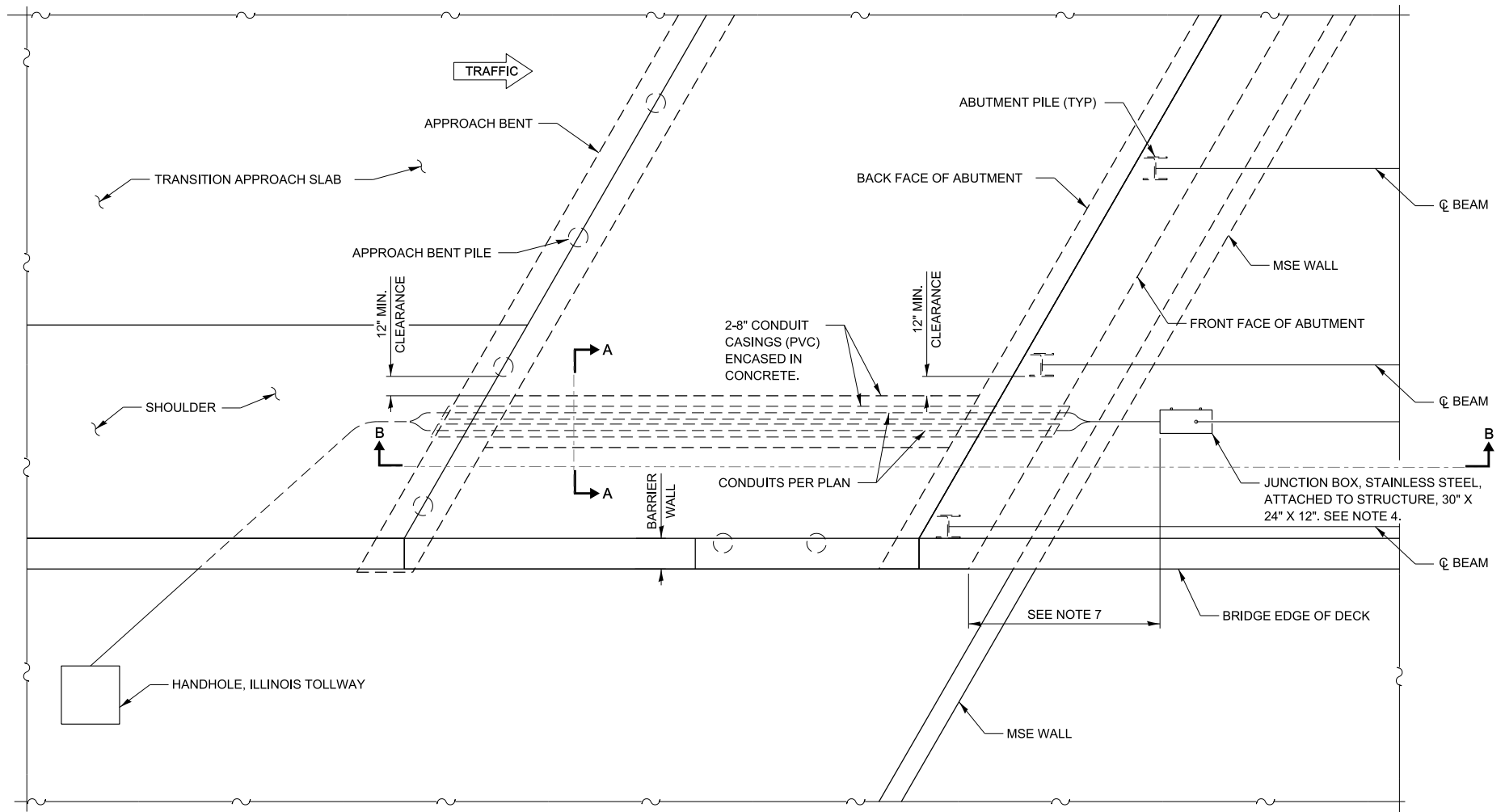
THIS BASE SHEET SHOWS TYPICAL CONSTRUCTION BUT IT IS NOT A STANDARD DRAWING. IT REQUIRES COMPLETION BY THE DESIGNER PRIOR TO INSERTION INTO A CONTRACT. MICROSTATION FILES AND THE "CADD STANDARDS MANUAL" ARE AVAILABLE ON THE ILLINOIS TOLLWAY WEBSITE. THE DESIGNER SHALL ACCEPT THE RESPONSIBILITY OF THE DESIGN OF THIS SHEET UPON ITS COMPLETION AND INSERTION INTO A CONTRACT. ALL "NOTE TO DESIGNER" BOXES SHALL BE REMOVED BY THE DESIGNER PRIOR TO INSERTION OF THE SHEET INTO THE PLAN SET.



CONDUIT DETAILS AT INTEGRAL ABUTMENT BRIDGE STANDARD SLOPE WALL

**NOTE TO DESIGNER**

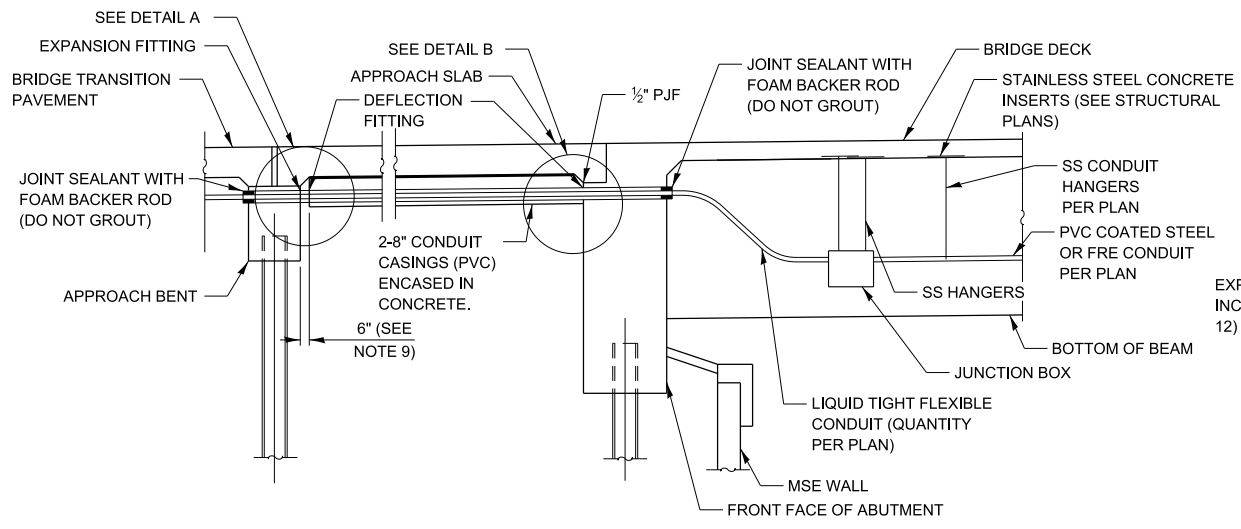
THIS BASE SHEET SHOWS TYPICAL CONSTRUCTION BUT IT IS NOT A STANDARD DRAWING. IT REQUIRES COMPLETION BY THE DESIGNER PRIOR TO INSERTION INTO A CONTRACT. MICROSTATION FILES AND THE "CADD STANDARDS MANUAL" ARE AVAILABLE ON THE ILLINOIS TOLLWAY WEBSITE. THE DESIGNER SHALL ACCEPT THE RESPONSIBILITY OF THE DESIGN OF THIS SHEET UPON ITS COMPLETION AND INSERTION INTO A CONTRACT. ALL "NOTE TO DESIGNER" BOXES SHALL BE REMOVED BY THE DESIGNER PRIOR TO INSERTION OF THE SHEET INTO THE PLAN SET.



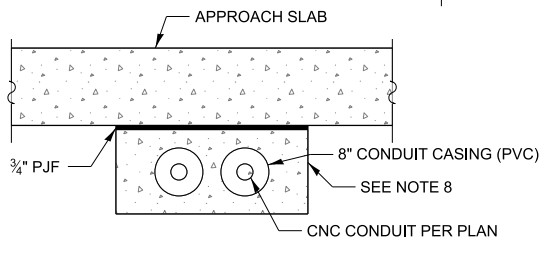
**PLAN**

**NOTES:**

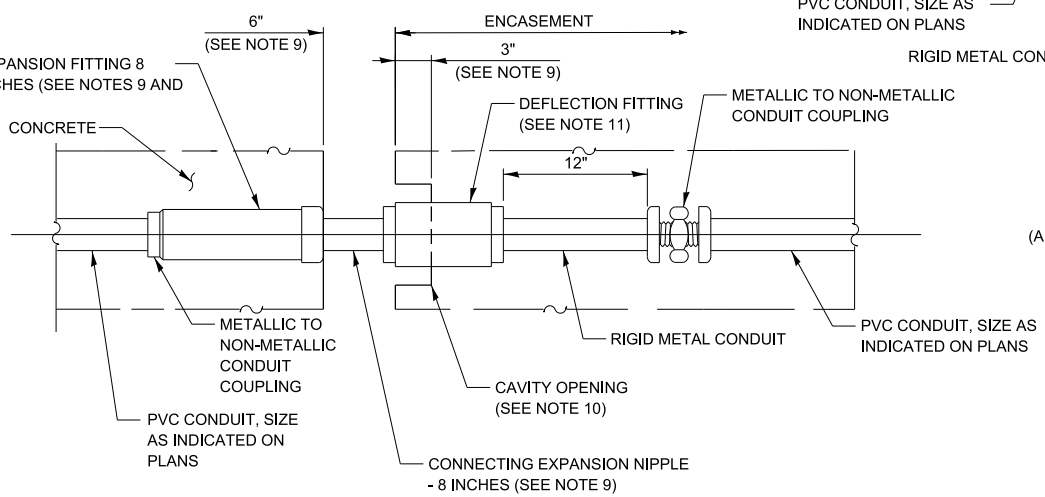
1. THE CONTRACTOR SHALL FURNISH & INSTALL A PULL TAPE THROUGH ALL CONDUITS INSTALLED AS PART OF THIS WORK.
2. ALL HARDWARE SHALL BE STAINLESS STEEL IN ACCORDANCE WITH ARTICLE 1006.31 OF THE STANDARD SPECIFICATIONS.
3. CONDUIT SHALL BE SUPPORTED AT A MAXIMUM INTERVAL OF 5' AND WITHIN 2.5' OF ANY JUNCTION BOX, COUPLING/FITTING, OR CHANGE IN DIRECTION.
4. THE JUNCTION BOX SHALL MEET THE REQUIREMENTS OF ARTICLE 1088.04 OF THE STANDARD SPECIFICATIONS.
5. FLEXIBLE CONDUIT SHALL BE LIMITED TO A MAXIMUM LENGTH OF 5'.
6. JUNCTION BOX SHALL BE LOCATED AT LEAST 24" FROM CROSS FRAMES.
7. PROVIDE DIMENSION FROM ABUTMENT.
8. PROVIDE A MINIMUM OF 3" CONCRETE ENCASEMENT AROUND CONDUIT.
9. DIMENSION SHOWN WILL VARY TO MEET THE REQUIREMENTS OF THE SPECIFIC PROJECT.
10. A CAVITY OPENING SHALL BE 3 IN. LARGER IN DIAMETER THAN THE DEFLECTION SLEEVE LENGTH.
11. THE DEFLECTION FITTING SHALL BE CENTERED IN THE OPENING AND EMBEDDED IN THE CONCRETE ONLY UP TO THE DEFLECTION FITTING CENTER.
12. THE BARREL OF THE FITTING SHALL BE FULLY EMBEDDED IN THE CONCRETE.
13. COUPLING MUST BE PROPERLY INSTALLED TO ACHIEVE ACCEPTABLE PERFORMANCE



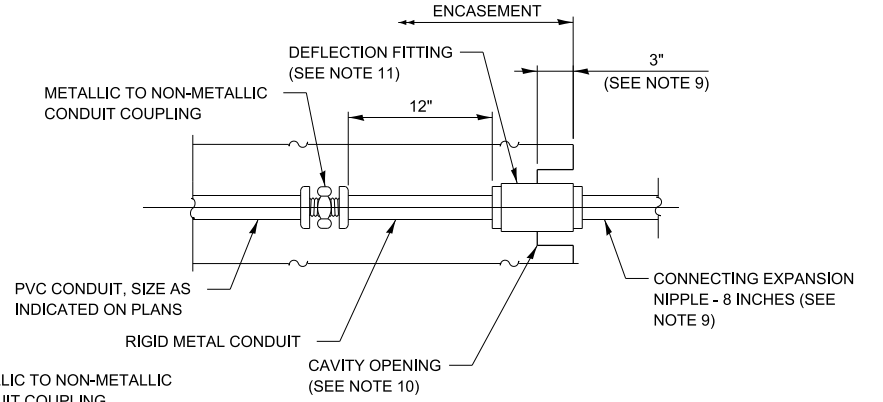
**SECTION B-B**



**SECTION A-A**



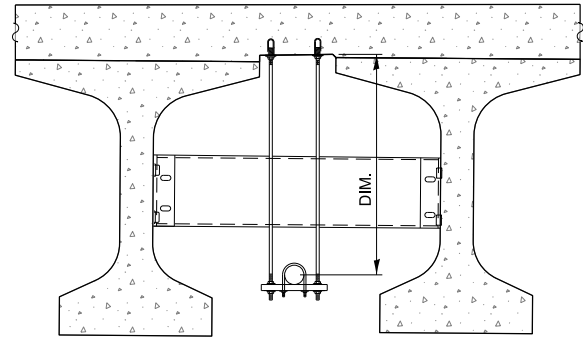
**DETAIL A**  
**CONDUIT EXPANSION / DEFLECTION COUPLING DETAIL**  
(ALL METALLIC PARTS SHALL BE STAINLESS STEEL)



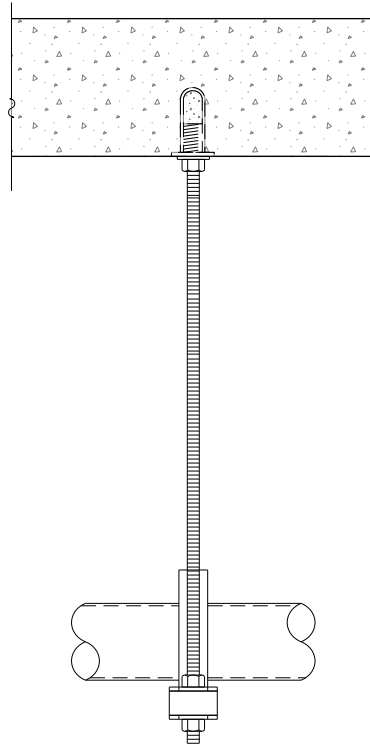
**DETAIL B**  
**DEFLECTION COUPLING DETAIL**  
(ALL METALLIC PARTS SHALL BE STAINLESS STEEL)



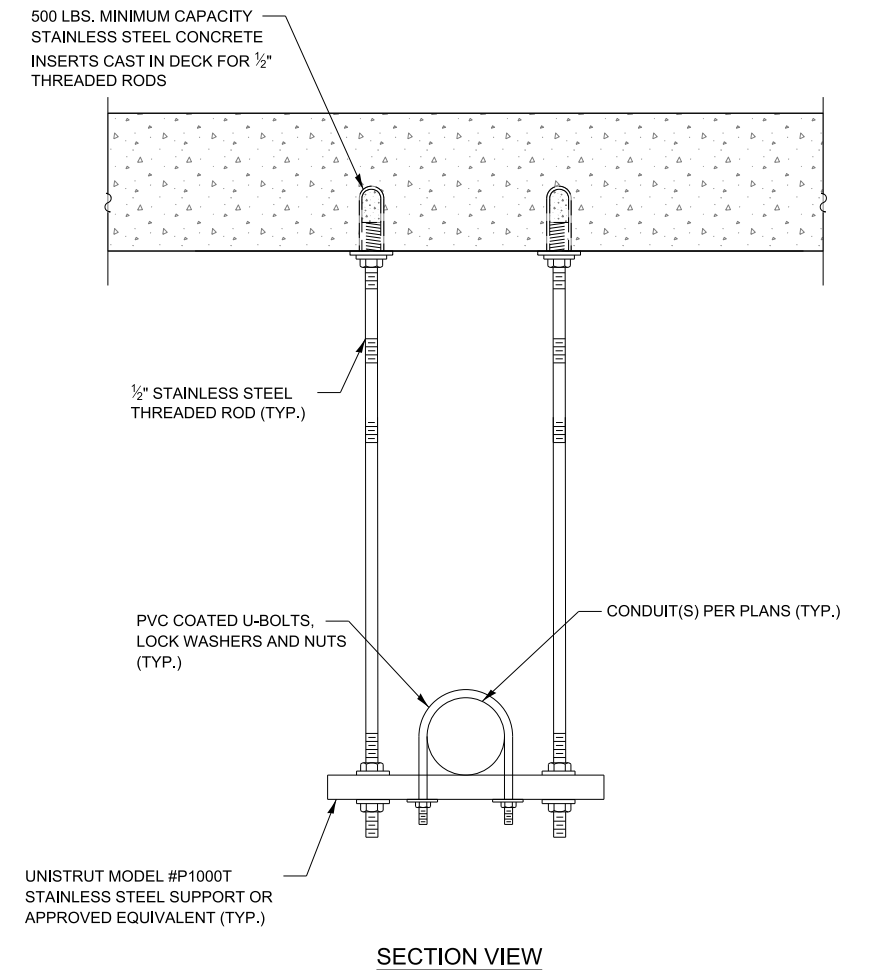
**CONDUIT DETAILS AT INTEGRAL ABUTMENT BRIDGE WITH MSE WALL**



CONDUIT ROUTING AT DIAPHRAGM



SIDE VIEW



SECTION VIEW

CONDUIT HANGER ASSEMBLY DETAIL

NOTES:

1. CONDUIT SHALL BE SUPPORTED AT A MAXIMUM INTERVAL OF 5' AND WITHIN 2.5' OF ANY JUNCTION BOX, COUPLING/FITTING, OR CHANGE IN DIRECTION.
2. ALL HARDWARE SHALL BE STAINLESS STEEL IN ACCORDANCE WITH ARTICLE 1006.31 OF THE STANDARD SPECIFICATIONS.
3. THE ELECTRICAL CONTRACTOR SHALL COORDINATE THE LOCATION OF THE CONCRETE INSERTS WITH THE BRIDGE CONTRACTOR.
4. THE COST OF THE CONCRETE INSERTS SHALL BE INCLUDED IN THE COST OF CONDUIT ATTACHED TO STRUCTURE.
5. CONDUIT SHALL BE CENTERED BETWEEN THE BEAMS.
6. CONDUIT SHALL NOT COME INTO CONTACT WITH ANY BRACING OR OTHER STRUCTURAL MEMBERS.
7. PROVIDE 1" MINIMUM CLEARANCE TO ALL STRUCTURAL MEMBERS.

NOTE TO DESIGNER

THIS BASE SHEET SHOWS TYPICAL CONSTRUCTION BUT IT IS NOT A STANDARD DRAWING. IT REQUIRES COMPLETION BY THE DESIGNER PRIOR TO INSERTION INTO A CONTRACT. MICROSTATION FILES AND THE "CADD STANDARDS MANUAL" ARE AVAILABLE ON THE ILLINOIS TOLLWAY WEBSITE. THE DESIGNER SHALL ACCEPT THE RESPONSIBILITY OF THE DESIGN OF THIS SHEET UPON ITS COMPLETION AND INSERTION INTO A CONTRACT. ALL "NOTE TO DESIGNER" BOXES SHALL BE REMOVED BY THE DESIGNER PRIOR TO INSERTION OF THE SHEET INTO THE PLAN SET.